

2010 Chevrolet Camaro SS Coupe

## SPECIAL CAUTIONS

### AIR BAG

Refer to Procedure Explanation 29 for Supplemental Restraint/Air Bag Special Cautions.

2010 Chevrolet Camaro SS Coupe

## PAINT CODE LOCATION

Paint code located in trunk compartment.

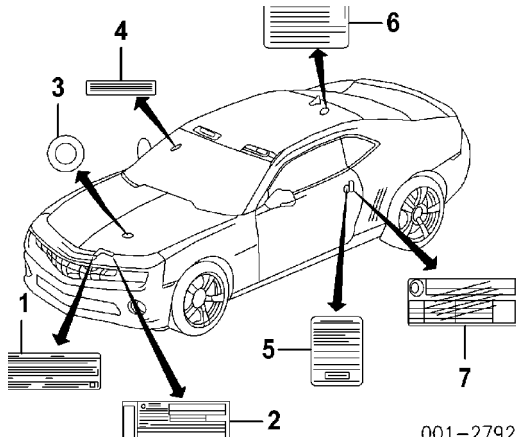
2010 Chevrolet Camaro SS Coupe

## CLEAR COAT IDENTIFICATION

All colors are clear coat.

2010 Chevrolet Camaro SS Coupe

INFORMATION LABELS



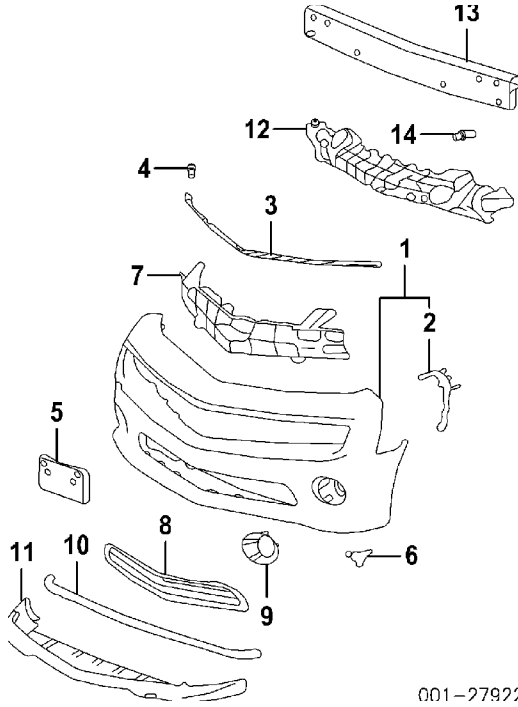
1	Label, Vehicle Emissions	N.A.	
2	Label, A/C	92234586	\$16.71
3	Label, Cooling System	92233346	\$16.71
4	Label, Mirror Caution French	15061343	\$16.81
5	Label, Odometer Service	10443718	\$27.78
6	Label, Unleaded Fuel	92229719	\$11.97
7	Label, Vehicle Weight	19206430	\$20.93

2010 Chevrolet Camaro SS Coupe

**FRONT BUMPER**

Procedures 1 and 28

LS, LT MODEL



Refinish Bumper Cover	3.3
R&I Bumper Cover	#1.8
O/H Bumper Assy (Includes R&I)	#2.8

#Includes R&I/R&R Wheelhouse Liner & Side Marker Lamps

Add to R&R or O/H Front Cover

w/Fog Lamps	.4
-------------	----

NOTE: All Parts in this section are included in overhaul unless noted otherwise.

1 Cover Assy, Bumper (P) (P) Paint to Match	#2.8	92236548	\$357.59
#Includes R&I/R&R Wheelhouse Liner & Side Marker Lamps			
2 Reinf, Side Cover¶	R	92238943	\$12.25
	L	92238942	\$12.25

¶Included w/Bumper Cover Assy

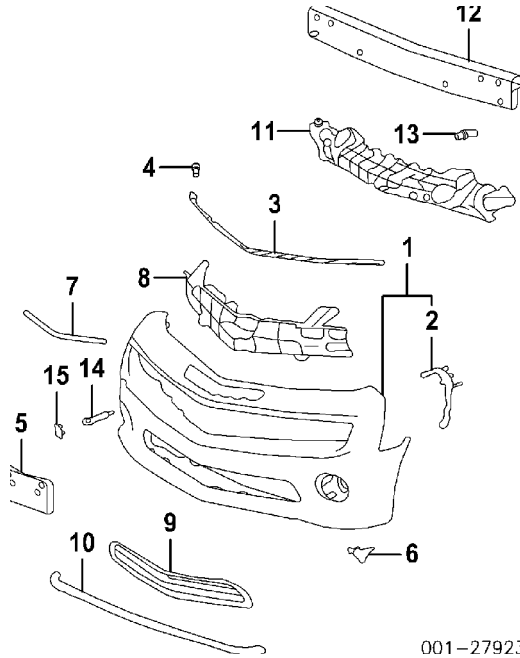
2010 Chevrolet Camaro SS Coupe

3 Moulding, Bumper	R	.3	92238937	\$12.41
	L	.3	92238867	\$12.41
4 Retainer, Moulding (3/Side)	R		11589289	\$3.68
	L		11589289	\$3.68
5 Bracket, License Plate		.2	92218025	\$33.98
Rivet, License Brkt (4)			11516807	\$4.46
Screw, License Brkt (4)			9423101	\$1.46
6 Reinforcement Assy, Lower	R	#.2	92238939	\$12.25
	L	#.2	92238940	\$12.25
#w/Front Cover Removed				
Nut, Reinf (a) (b)	R		92139151	\$3.51
	L		92139151	\$3.51
(a) Included w/Lower Reinforcement Assy				
(b) As Required				
7 Grille, Center-See Grille Section				
8 Grille, Lower				
LS Model		#.4	92228228	\$56.88
LT Model				
w/RS Pkg		#.4	92218015	\$56.88
w/o RS Pkg		#.4	92228228	\$56.88
#w/Front Cover Removed, Includes R&R Energy Absorber				
Bezel, Fog Lamp				
LT Model-See Front Lamps Section				
9 Cover, Fog Lamp Hole				
LS Model	R	.2	92218022	\$28.31
	L	.2	92218021	\$28.31
10 Deflector, Lower Air		.3	92234403	\$48.19
11 Ext, Lower Cover		.6	92207425	\$700.22
12 Absorber, Energy		#.2	92194269	\$77.71
#w/Front Cover Removed				
13 Bar, Impact		#.3	92194266	\$267.59
#w/Front Cover Removed, Not Included in R&R or O/H Cover				
14 Bolt, Impact Bar (6)			11589407	\$3.68

Sensor, Ambient Temp-See Front Inner Structure Section

SS MODEL

2010 Chevrolet Camaro SS Coupe



001-2792

Refinish Bumper Cover	3.3
Refinish Tow Eye Cover	.3
R&I Bumper Cover	#1.8
O/H Bumper Assy (Includes R&I)	#3.0

#Includes R&I/R&R Wheelhouse Liner & Side Marker Lamps

Add to R&R or O/H Front Cover

w/Fog Lamps	.4
-------------	----

NOTE: All Parts in this section are included in overhaul unless noted otherwise.

1 Cover Assy, Bumper (P) (P) Paint to Match	#3.0	92236547	\$357.59
#Includes R&I/R&R Wheelhouse Liner & Side Marker Lamps			
2 Reinf, Side Cover¶	R	92238943	\$12.25
	L	92238942	\$12.25
¶Included w/Bumper Cover Assy			
3 Moulding, Bumper	R	.3 92238937	\$12.41
	L	.3 92238867	\$12.41
4 Retainer, Moulding (3/Side)	R	11589289	\$3.68
	L	11589289	\$3.68

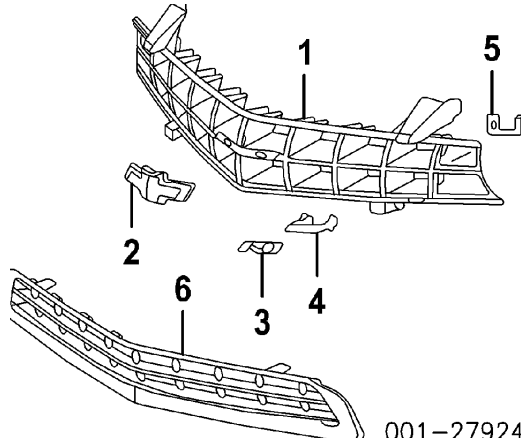
2010 Chevrolet Camaro SS Coupe

5 Bracket, License Plate		.2	92218025	\$33.98
Rivet, License Brkt (4)			11516807	\$4.46
Screw, License Brkt (4)			9423101	\$1.46
6 Reinforcement Assy, Lower				
w/RS Pkg	R	#.2	92238939	\$12.25
	L	#.2	92238940	\$12.25
w/o RS Pkg	R	#.2	92237819	\$12.14
	L	#.2	92228100	\$12.25
#w/Wheelhouse Liner Removed				
Nut, Reinf (a) (b)	R		92243310	
	L		92243310	
(a) Included w/Lower Reinforcement Assy				
(b) As Required				
Bezel, Fog Lamp-See Front Lamps Section				
7 Grille, Upper-See Grille Section				
8 Grille, Center-See Grille Section				
9 Grille, Lower		#.4	92218015	\$56.88
#w/Front Cover Removed, Includes R&R Energy Absorber				
10 Deflector, Lower Air		.3	92234404	\$47.61
11 Absorber, Energy		#.2	92194269	\$77.71
#w/Front Cover Removed, Included in R&R or O/H Cover				
12 Bar, Impact		#.3	92194266	\$267.59
#w/Front Cover Removed, Not Included in R&R or O/H Cover				
13 Bolt, Impact Bar (6)			11589407	\$3.68
14 Eye, Tow		#	25887376	\$16.60
#Not Included in R&R or O/H Cover				
15 Cover, Tow Eye		.1	N.A.	
Sensor, Ambient Temp-See Front Inner Structure Section				

2010 Chevrolet Camaro SS Coupe

GRILLE

LS, LT MODEL



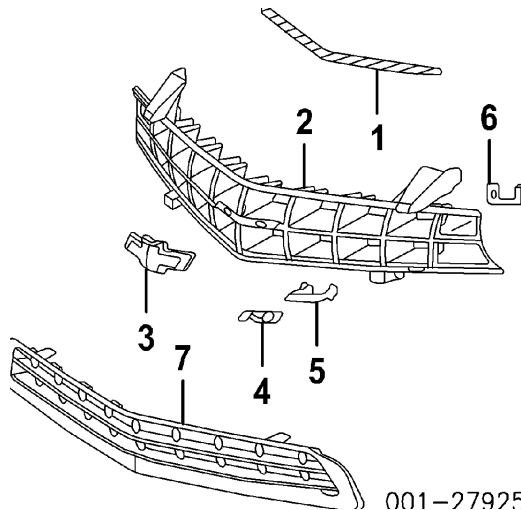
R&I Center Grille

#.4

#w/Front Cover Removed, Includes R&R Energy Absorber, Included in R&R or O/H Cover

1 Grille, Center	#.4	92237829	\$104.64
#w/Front Cover Removed, Includes R&R Energy Absorber, Included in R&R or O/H Cover			
2 Emblem, Grille (Adhesive)	.2	92194260	\$35.34
3 Nameplate (Adhesive) "RS"	.2	92225496	\$17.75
4 Bracket, Nameplate		92225407	\$5.97
5 Plate, Brkt Mtg		92225408	\$5.86
6 Grille, Lower-See Front Bumper Section			

SS MODEL



2010 Chevrolet Camaro SS Coupe

R&I Upper Grille

#.3

#Includes R&R Upper Support, Included in R&R or O/H Cover

R&I Center Grille

#.4

#w/Front Cover Removed, Includes R&R Energy Absorber, Included in R&R or O/H Cover

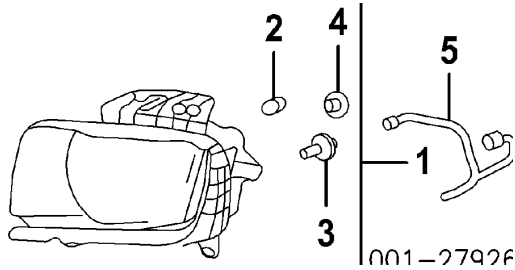
1 Grille, Upper	#.3	92218020	\$30.69
<p>#Includes R&amp;R Upper Support, Included in R&amp;R or O/H Cover</p>			
2 Grille, Center	#.4	92237829	\$104.64
<p>#w/Front Cover Removed, Includes R&amp;R Energy Absorber, Included in R&amp;R or O/H Cover</p>			
3 Emblem, Grille (Adhesive)	.2	92194260	\$35.34
4 Nameplate (Adhesive)			
"SS"			
Red	.2	92225495	\$17.71
White	.2	92225494	\$19.19
5 Bracket, Nameplate		92225407	\$5.97
6 Plate, Brkt Mtg		92225408	\$5.86
7 Grille, Lower-See Front Bumper Section			

2010 Chevrolet Camaro SS Coupe

**FRONT LAMPS**

**COMBINATION LAMP**

**HALOGEN**



Aim Lamps

.4

R&I Combination Lamp Assy

R #.3

L #.3

#w/Front Cover Removed

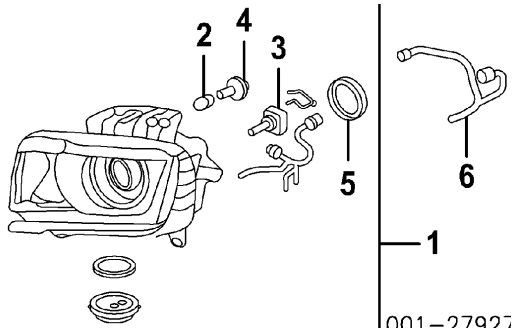
NOTE: R&R Does Not include aim lamps.

1 Lamp Assy, Combination	R	#.3	92232125	\$160.97
	L	#.3	92232124	\$160.97
#w/Front Cover Removed				
2 Bulb, Park/Signal¶	R	#.2	15855631	\$14.11
	L	#.2	15855631	\$14.11
3 Bulb, Headlamp¶	R	#.2	15203303	\$28.81
	L	#.2	15203303	\$28.81
#Included in R&I/R&R Combination Lamp Assy				
4 Socket, Park/Signal Bulb¶	R		92227778	\$53.11
	L		92227778	\$53.11
¶Included w/Combination Lamp Assy				
Bolt, Mounting (4/Side)	R		11570498	\$3.51
	L		11570498	\$3.51
5 Harness, Lamp Wiring			92235755	\$203.96

**COMBINATION LAMP**

**HID**

2010 Chevrolet Camaro SS Coupe



Aim Lamps

.4

R&I Combination Lamp Assy

R #.3

L #.3

#w/Front Cover Removed

NOTE: R&R Does Not include aim lamps.

1 Lamp Assy, Combination  
1st Design

R #.3 92243101

L #.3 92243102 \$808.36

2nd Design

R #.3 92243101

L #.3 92243102 \$808.36

#w/Front Cover Removed

2 Bulb, Park/Signal¶

R #.2 15855631 \$14.11

L #.2 15855631 \$14.11

3 Bulb, Headlamp¶

R #.2 N.A.

L #.2 N.A.

#Included in R&I/R&R Combination Lamp Assy

4 Socket, Park/Signal Bulb¶

R 92227778 \$53.11

L 92227778 \$53.11

5 Cover, Headlamp Bulb¶

R 16530873 \$9.17

L 16530873 \$9.17

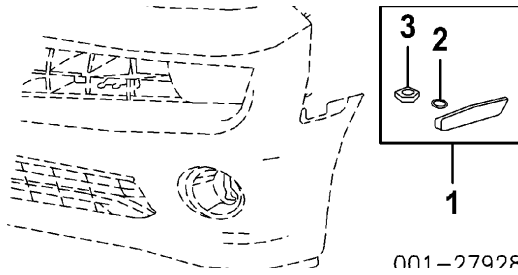
¶Included w/Combination Lamp Assy

6 Harness, Lamp Wiring

92235754 \$249.79

SIDE MARKER LAMP

2010 Chevrolet Camaro SS Coupe



R&I Side Marker Lamp Assy

R #.3  
L #.3

#Included in R&R or O/H Front Cover

1 Lamp Assy, Side Marker	R #.3	92195240	\$27.10
	L #.3	92195241	\$27.10

#Included in R&R or O/H Front Cover

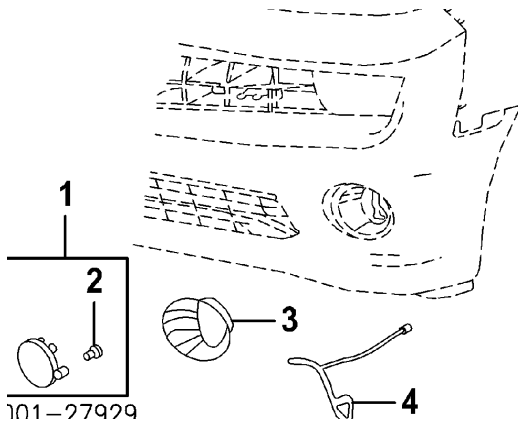
2 Bulb, Marker Lamp	R #.2	9421330	\$0.84
	L #.2	9421330	\$0.84

#Included in R&I/R&R Side Marker Lamp Assy

3 Socket, Lamp	R	92237553	\$23.68
	L	92237553	\$23.68

Included w/Side Marker Lamp Assy

FOG LAMP  
LT, SS MODEL



Aim Lamps

R&I Fog/Driving Lamp Assy

R #.3  
L #.3

.4

2010 Chevrolet Camaro SS Coupe

#Included in R&R or O/H Front Cover

NOTE: R&R Does Not include aim lamps.

1 Lamp Assy, Fog/Driving	R	#.3	92231388	\$81.63
	L	#.3	92231388	\$81.63

#Included in R&R or O/H Front Cover

2 Bulb, Fog Lamp¶	R	#.2	13500808	\$42.33
	L	#.2	13500808	\$42.33

¶Included w/Fog/Driving Lamp Assy

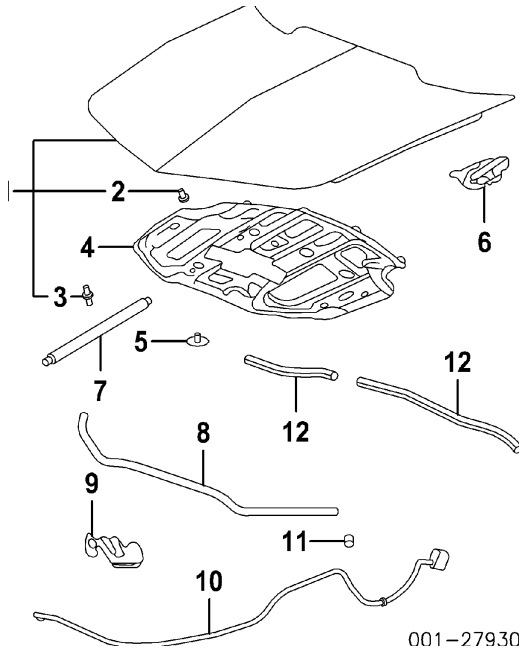
#Included in R&R Fog/Driving Lamp Assy

3 Bezel, Lamp	R		92218024	\$20.02
	L		92218023	\$20.02
4 Harness, Fog Lamp			92224846	\$73.13

2010 Chevrolet Camaro SS Coupe

**HOOD**

Procedures 4 and 28



Refinish Hood Outside

Add for Underside

R&I Hood Assy

		2.9		
		1.4		
		.6		
1 Panel Assy, Hood (Alum)		1.1	92226391	\$601.39
2 Bolt, Hood (2)¶			11561674	\$0.40
3 Stud, Strut Ball¶			11609990	\$4.09
¶Included w/Hood Panel Assy				
4 Insulator, Hood		.3	92231486	\$24.17
5 Retainer, Insulator (8)			20064875	\$1.66
6 Hinge, Hood	R	#.3	92235924	\$40.86
	L	#.3	92235925	\$40.86
#w/Hood & Fender Removed				
Bolt, Hinge (2/Side)	R		11519387	\$4.25
	L		11519387	\$4.25
Bolt, Hinge Pivot	R		92139130	\$3.42
	L		92139130	\$3.42
Cap, Bolt	R		25766891	\$3.93
	L		25766891	\$3.93
7 Strut, Hood	R	.2	92203599	\$26.51

Bracket, Hood Strut-See Front Inner Structure Section

2010 Chevrolet Camaro SS Coupe

8 Weatherstrip, Hood Front	.3	92194824	\$21.14
9 Latch, Hood	.4	92233982	\$49.97
Bolt, Latch (2)		11561969	\$3.51
10 Cable, Hood Latch	1.1	92234816	\$40.24
Clip, Cable (2)		22695408	\$8.36
11 Bumper, Hood Adjust (4)	.1	10103036	\$0.72

12 Weatherstrip, Rear Hood-See Cowl & Dash Section

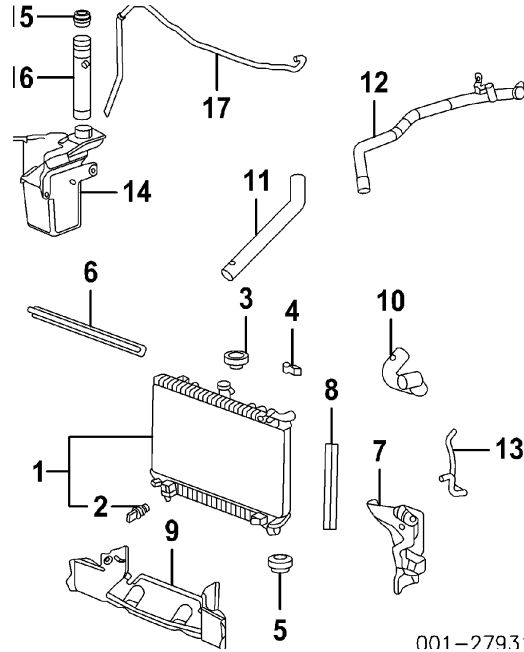
Stripe, Hood-See Stripe Tape Section

2010 Chevrolet Camaro SS Coupe

COOLING

Procedures 5 and 28

3.6L ENG



001-2793

R&I Radiator

R&I Man Trans

2.0

R&I Auto Trans

2.2

1 Radiator Assy			
Man Trans		2.0	92218351
Auto Trans		2.2	92218353
2 Cock, Drain			92218349
¶Included w/Radiator Assy			
3 Cap, Radiator			13502509
4 Bracket, Upper Rad	R		92236770
	L		92236770
5 Insulator, Lower Rad	R		92218310
	L		92218310
6 Seal, Upper Rad			92218312
7 Baffle, Side Radiator	R	#.3	92233112
	L	#.3	92233111
8 Seal, Side Rad	R		92218311
	L		92218311
9 Duct, Lower Air		#.4	92233109
#w/Bumper Cover Removed			
10 Hose, Upper Rad		#1.8	92223296
11 Hose, Lower Rad		#1.6	92223294

\$264.32

\$302.53

\$3.51

\$14.00

\$9.07

\$9.07

\$4.39

\$4.39

\$5.38

\$14.37

\$18.54

\$3.51

\$3.51

\$57.34

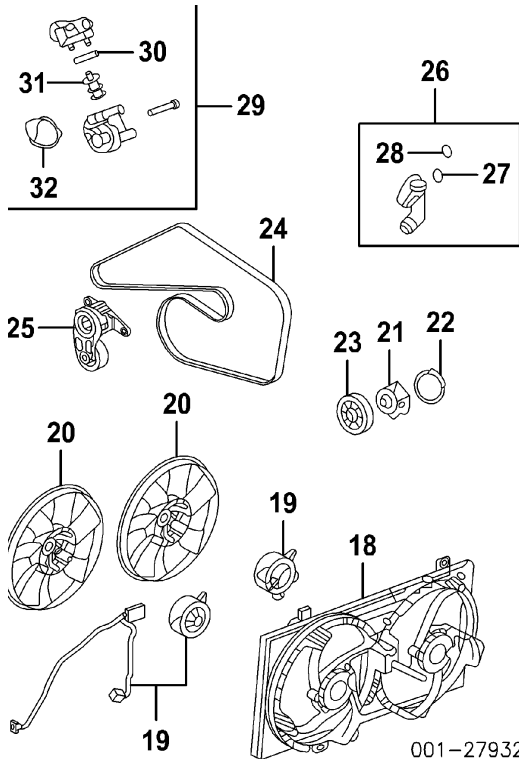
\$21.43

\$24.95

2010 Chevrolet Camaro SS Coupe

#R&R Both 2.8

12 Pipe, Outlet	1.6	92068698	\$47.30
13 Hose, Air		92223291	\$7.74
14 Reservoir, Coolant	.5	92201363	\$27.98
15 Cap, Reservoir		92232910	\$16.60
16 Pipe, Reservoir		92201365	\$18.36
17 Hose, Overflow		92199614	\$9.60



18 Shroud, Fan	#2.4	92218321	\$126.15
19 Motor, Fan			
1st Design	R #2.4	92218319	\$209.37
	L #2.4	92218320	\$209.37
2nd Design	R #2.4	92218319	\$209.37
	L #2.4	92237366	\$209.37

#R&R Complete, w/Radiator Removed Deduct 2.0

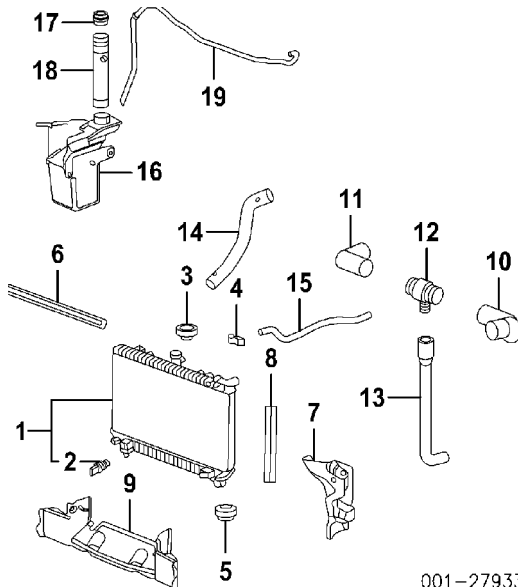
- 20 Blade, Fan-Serviced w/Fan Motor
- 21 Pump, Water-See Engine/Trans Section
- 22 Gasket, Water Pump-See Engine/Trans Section

2010 Chevrolet Camaro SS Coupe

23 Pulley, Water Pump	12611587	\$51.12
Bolt, Pulley (4)	11588940	\$3.88
24 Belt, Drive	.6 92226300	\$60.00
25 Tensioner, Drive Belt-See Engine/Trans Section		
26 Outlet Assy, Water	92068778	\$150.57
27 Seal, Outlet (a)	12566429	\$6.29
28 Seal, Cooler (a)	12584040	\$8.72
(a) Included w/Water Outlet Assy		
29 Housing Assy, Thermostat	1.8 12620254	\$136.03
30 Seal, Thermostat (b)	12582472	\$6.63
31 Thermostat (b)-Serviced w/Thermostat Housing Assy		
32 Gasket, Housing (b)	12592527	\$10.10

(b) Included w/Thermostat Housing Assy

**6.2L ENG  
MAN TRANS**

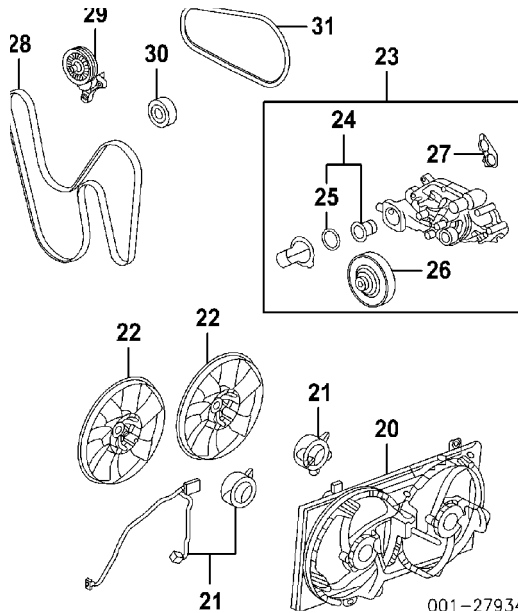


001-2793

<b>R&amp;I Radiator</b>	2.4	
1 Radiator Assy	2.4 92218352	\$317.47
2 Cock, Drain	92218349	\$3.51
¶Included w/Radiator Assy		
3 Cap, Radiator	13502509	\$14.00
4 Bracket, Upper Rad	R 92236770	\$9.07
	L 92236770	\$9.07

2010 Chevrolet Camaro SS Coupe

5 Insulator, Lower Rad	R	92218310	\$4.39
	L	92218310	\$4.39
6 Seal, Upper Rad		92218312	\$5.38
7 Baffle, Side Radiator	R	.3 92233112	\$14.37
	L	.3 92233111	\$18.54
8 Seal, Side Rad	R	92218311	\$3.51
	L	92218311	\$3.51
9 Duct, Lower Air Hose, Upper Rad		.5 92233110	\$55.51
10 Front	#.8	92225712	\$29.80
11 Rear	#1.0	92225711	\$29.80
#R&R Both 1.4			
12 Connector, Hose		92225709	\$4.68
13 Hose, By-Pass		92233917	\$9.11
14 Hose, Lower Rad	1.2	92223293	\$24.95
15 Hose, Air		92223290	\$6.78
16 Reservoir, Coolant	.9	92201363	\$27.98
17 Cap, Reservoir		92232910	\$16.60
18 Pipe, Reservoir		92201365	\$18.36
19 Hose, Overflow		92199614	\$9.60



20 Shroud, Fan	#2.4	92218321	\$126.15
21 Motor, Fan			
1st Design	R #2.4	92218317	\$209.37
	L #2.4	92218318	\$275.00
2nd Design	R #2.4	92218317	\$209.37
	L #2.4	92237365	\$209.37

2010 Chevrolet Camaro SS Coupe

#R&R Complete, w/Radiator Removed Deduct 2.0

22 Blade, Fan-Serviced w/Fan Motor

23 Pump Assy, Water 1.8 19207665 \$300.00

24 Thermostat Assy (a) .9 89018168 \$45.39

25 Gasket, Thermostat (a) (b) 12587397 \$5.87

(b) Included w/Thermostat Assy

26 Pulley, Water Pump (a)-Serviced w/Water Pump Assy

27 Gasket, Water Pump (2) (a) 12610311 \$6.16

Plug (a) 11588949 \$7.95

(a) Included w/Water Pump Assy

28 Belt, Drive .6 12610786 \$40.00

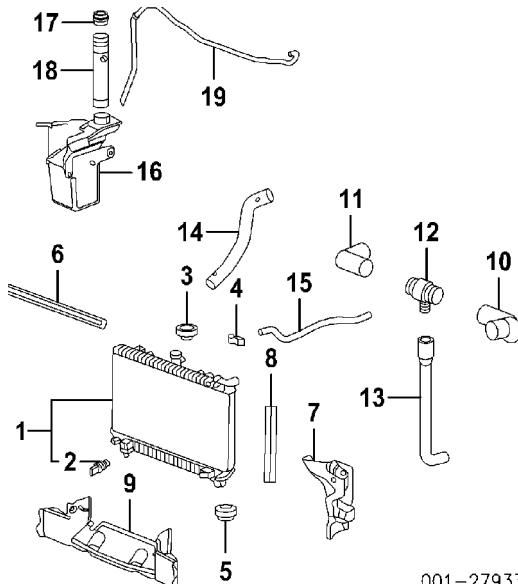
29 Tensioner, Drive Belt #.8 12628025 \$195.00

30 Pulley, Idler #.7 12568996 \$57.68

#Includes R&R Drive Belt

31 Belt, A/C Compressor-See A/C /Heater/Ventilation Section

6.2L ENG  
AUTO TRANS



001-27933

R&I Radiator

1Radiator Assy

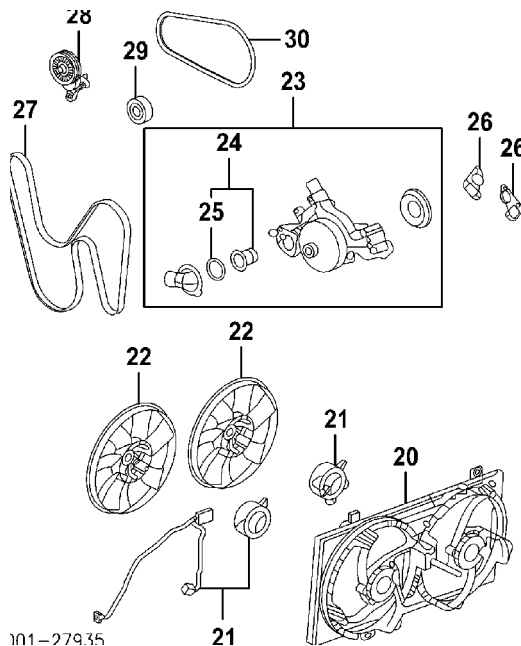
2.4

2.4 92218352

\$317.47

2010 Chevrolet Camaro SS Coupe

2	Cock, Drain		92218349	\$3.51
	¶Included w/Radiator Assy			
3	Cap, Radiator		13502509	\$14.00
4	Bracket, Upper Rad	R	92236770	\$9.07
		L	92236770	\$9.07
5	Insulator, Lower Rad	R	92218310	\$4.39
		L	92218310	\$4.39
6	Seal, Upper Rad		92218312	\$5.38
7	Baffle, Side Radiator	R	.3 92233112	\$14.37
		L	.3 92233111	\$18.54
8	Seal, Side Rad	R	92218311	\$3.51
		L	92218311	\$3.51
9	Duct, Lower Air Hose, Upper Rad		.5 92233110	\$55.51
10	Front	#.8	92225712	\$29.80
11	Rear	#1.0	92225711	\$29.80
	#R&R Both 1.4			
12	Connector, Hose		92225709	\$4.68
13	Hose, By-Pass		92233917	\$9.11
14	Hose, Lower Rad	1.2	92223293	\$24.95
15	Hose, Air		92223290	\$6.78
16	Reservoir, Coolant	.9	92201363	\$27.98
17	Cap, Reservoir		92232910	\$16.60
18	Pipe, Reservoir		92201365	\$18.36
19	Hose, Overflow		92199614	\$9.60



20	Shroud, Fan	#2.4	92218321	\$126.15
----	-------------	------	----------	----------

2010 Chevrolet Camaro SS Coupe

21 Motor, Fan				
1st Design	R	#2.4	92218317	\$209.37
	L	#2.4	92218318	\$275.00
2nd Design	R	#2.4	92218317	\$209.37
	L	#2.4	92237365	\$209.37

#R&R Complete, w/Radiator Removed Deduct 2.0

22 Blade, Fan-Serviced w/Fan Motor

23 Pump Assy, Water		1.8	19207665	\$300.00
24 Thermostat Assy (a)		.9	89018168	\$45.39
25 Gasket, Thermostat (a) (b)			12587397	\$5.87

(b) Included w/Thermostat Assy

Bolt, Mounting (2) (a)			11516480	\$6.48
------------------------	--	--	----------	--------

(a) Included w/Water Pump Assy

26 Gasket, Water Pump (2)			12610311	\$6.16
27 Belt, Drive		.6	12610786	\$40.00
28 Tensioner, Drive Belt		#.8	12628025	\$195.00
29 Pulley, Idler		#.7	12568996	\$57.68

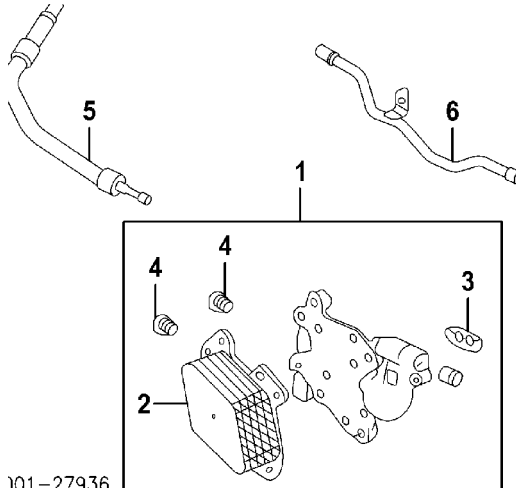
#Includes R&R Drive Belt

30 Belt, A/C Compressor-See A/C /Heater/Ventilation Section

2010 Chevrolet Camaro SS Coupe

## ENGINE OIL COOLER

6.2L ENG

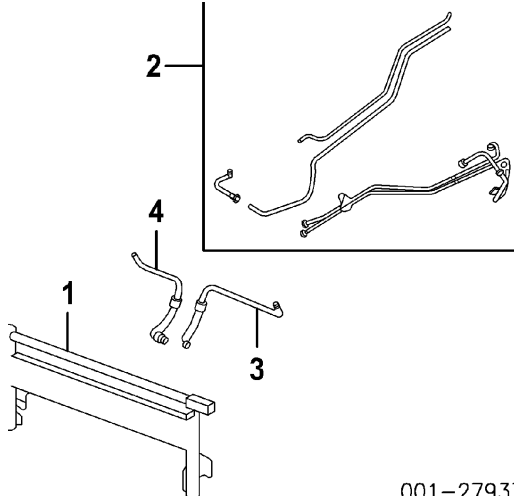


1 Cooler Assy, Engine Oil	#.8	12606576	\$692.92
2 Core, Cooler	#1.0	12607900	\$448.24
#w/Engine/Trans Assy Removed			
3 Gasket, Adapter		15203889	\$6.64
4 Connector, Hose	R	12614837	\$5.79
	L	12614836	\$9.65
¶Included w/Engine Oil Cooler Assy			
5 Hose, Inlet	#1.6	92239563	\$22.34
6 Pipe, Oil Cooler	#1.1	92239562	\$13.23
#R&R Both 2.2			

2010 Chevrolet Camaro SS Coupe

## TRANS OIL COOLER

6.2L ENG



1 Cooler, Aux Trans

#.9 N.A.

#w/Front Bumper Cover Removed

2 Pipe, Trans Cooler

1.7 92221651 \$124.76

3 Pipe, Inlet

#.8 92218315 \$35.26

4 Pipe, Outlet

#.8 92218314 \$21.37

#R&R Both 1.4

2010 Chevrolet Camaro SS Coupe

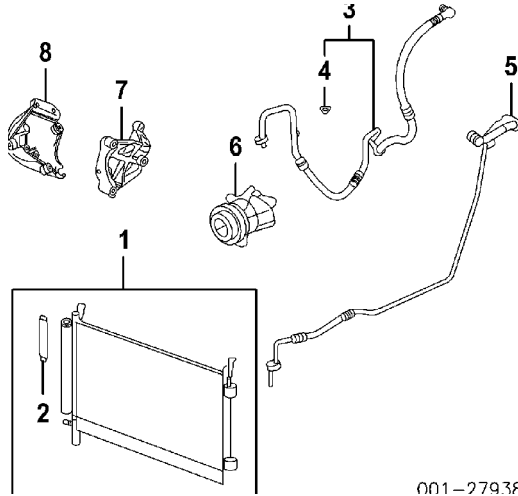
## A/C REFRIGERANT CAPACITIES

A/C R-134a Refrigerant Capacity

21.2 Ozs (1.32 Lbs), 600 g

## A/C HEATER/VENTILATION

### Procedure 6



R&I Condenser

#1.5

#w/Radiator Removed Deduct 1.0

Evacuate & Recharge System

1.4

Recover Refrigerant

.3

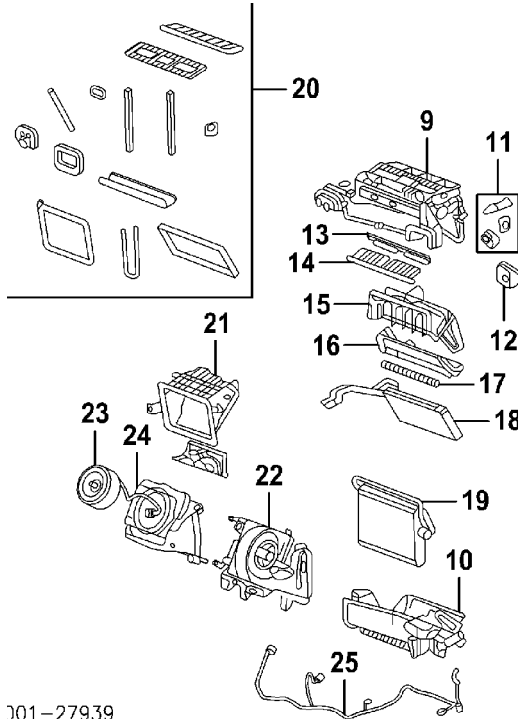
NOTE: R&I/R&R Does Not include recover, evacuate and recharge system.

1	Condenser Assy, A/C	#1.5	92239774	\$320.18
	#w/Radiator Removed Deduct 1.0			
2	Receiver/Drier¶	#.3	92229743	\$109.34
	¶Included w/ A/C Condenser Assy			
	#w/Condenser Assy Removed			
3	Hose Assy, Compressor			
	3.6L Eng	2.6	92231414	\$171.26
	6.2L Eng	1.3	92197443	\$171.26
4	Sensor, Pressure (a)	.6	22678731	\$69.67
	(a) Included w/Compressor Hose Assy			
5	Tube, Evap	1.5	92232839	\$133.18
6	Compressor, A/C			
	3.6L Eng	1.4	92229740	\$359.14
	6.2L Eng	1.4	92229739	\$359.14

Bracket, Compressor Mounting

2010 Chevrolet Camaro SS Coupe

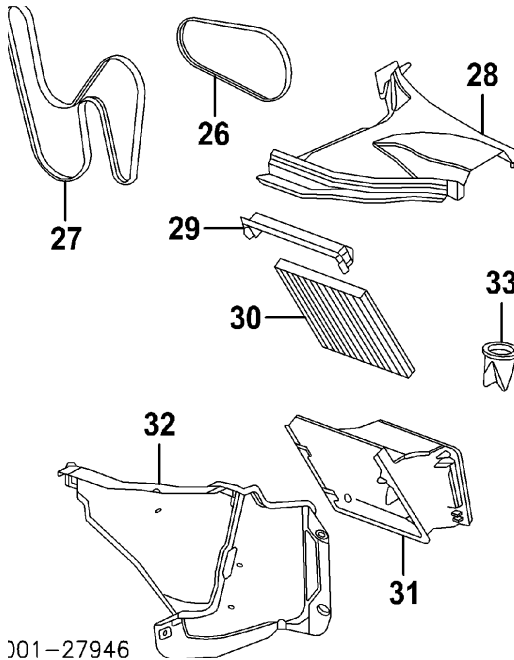
7	3.6L Eng	92068682	\$466.22
8	6.2L Eng	12610784	\$43.29



101-27939				
9	Case, Evap Upper	#3.2	92215223	\$107.70
10	Case, Evap Lower	#3.2	92215222	\$108.06
	#R&R Complete, w/Instrument Panel Carrier Removed			
11	Cam Kit, A/C Heater		92215210	\$31.49
12	Actuator, Mode		92215209	\$35.90
13	Valve, Vent		92215213	\$21.83
14	Valve, Defroster		92215214	\$21.83
15	Case, Upper Heater		92215221	\$42.02
16	Case, Lower Heater		92215220	\$41.70
17	Valve, Temp		92215212	\$21.83
18	Core, Heater	#3.7	92215200	\$115.26
19	Evaporator Assy	#4.0	92229744	\$290.00
	#w/Instrument Panel Carrier Removed			
	Seal, Evaporator (b)	R	89019245	\$9.24
		L	52474373	\$9.54
	(b) Included w/Evaporator Assy			
20	Seal Kit		92229745	\$69.33
21	Case, Upper Blower	#3.6	92215218	\$16.34

2010 Chevrolet Camaro SS Coupe

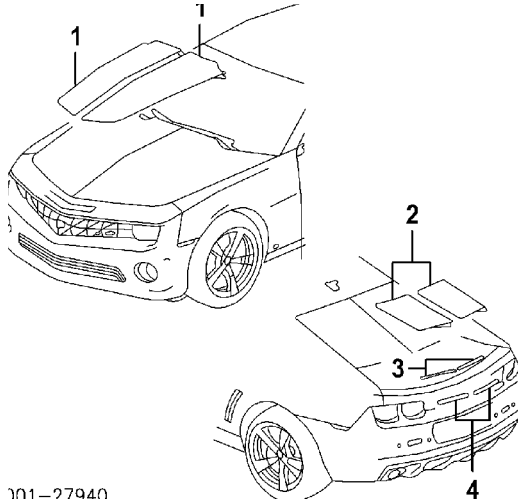
22 Case, Lower Blower	#3.6	92215219	\$45.08
#R&R Complete, w/Instrument Panel Carrier Removed			
23 Motor, Blower	1.3	92215203	\$115.19
24 Plate, Blower		92215217	\$38.23
25 Harness, Actuator		92215206	\$59.56



J01-27946			
26 Belt, A/C Compressor 6.2L Eng	.6	19208727	\$295.96
27 Belt, Drive-See Cooling Section			
28 Grille Assy, Air Inlet-See Cowl & Dash Section			
29 Cover, Housing		92220250	\$14.07
30 Filter, Air	.6	92234714	
31 Housing Assy, Air Inlet Clip (4) (c)		92220252	\$38.87
		11588650	\$3.68
(c) Included w/Air Inlet Housing Assy			
32 Panel, Air Inlet-See Cowl & Dash Section			
33 Valve, Drain		25746570	\$4.36

2010 Chevrolet Camaro SS Coupe

**STRIPE TAPE**



101-27940

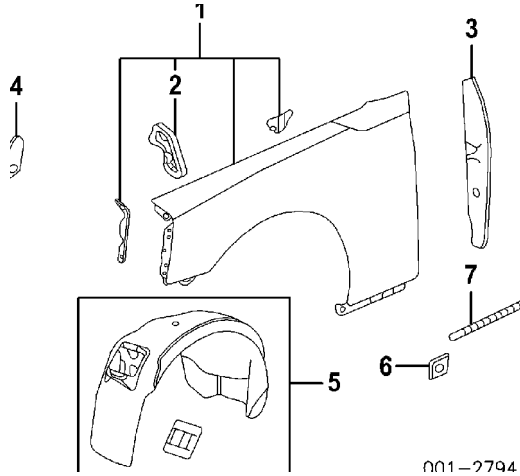
NOTE: Time is for installation only.

<b>1 Stripe, Hood</b>			
Black	R	.6 92242452	\$206.32
	L	.6 92242453	\$184.73
Gray	R	.6 92225465	\$109.11
	L	.6 92225464	\$109.11
White	R	.6 92225449	\$130.64
	L	.6 92225448	\$130.64
<b>2 Stripe, Luggage Lid w/Spoiler</b>			
Black		.5 92242455	\$170.59
Gray		.5 92225468	\$131.15
White		.5 92225452	\$131.15
<b>w/o Spoiler</b>			
Black		.5 92242454	\$185.17
Gray		.5 92225466	\$129.56
White		.5 92225450	\$129.56
<b>3 Stripe, Spoiler</b>			
Black		.4 N.A.	
Gray		.4 92225474	\$40.80
White		.4 92225458	\$40.80
<b>4 Stripe, Rear</b>			
Black		.4 92215975	\$350.00
Gray		.4 92225519	\$395.00
White		.4 92225521	\$395.00

2010 Chevrolet Camaro SS Coupe

**FRONT FENDER**

Procedures 7 and 28



Refinish Fender Outside

R 2.2

L 2.2

Add to Edge Fender

R .5

L .5

Refinish Mudguard

R .5

L .5

R&I Fender Panel

R #2.2

L #2.2

#w/Front Cover Removed, Includes R&I Combination Lamp Assy, Fender Liner & Rocker Moulding

R&I Mudguard

R .2

L .2

R&R Mudguard

R .2

L .2

1 Panel, Fender

R #2.4 92220524 \$176.00

L #2.4 92220523 \$176.00

#w/Front Cover Removed, Includes R&I Combination Lamp Assy, Fender Liner & Rocker Moulding

Bracket, Fender-See Side Body Section

Bolt, Mounting (7/Side)

R 11561674 \$0.40

L 11561674 \$0.40

2 Insulator, Front

R #.1 92212989 \$13.34

L #.1 92212989 \$13.34

3 Insulator, Rear

R #.1 92195867 \$3.42

L #.1 92195867 \$3.42

2010 Chevrolet Camaro SS Coupe

#w/Fender Removed, Included in R&R Fender

4 Cover, Hole	R	92231183	\$8.90
	L	92231183	\$8.90
5 Liner Assy, Wheelhouse			
LS, LT Model	R	.3 92239782	\$55.73
	L	.3 92239781	\$55.90
SS Model	R	.3 92239784	\$55.73
	L	.3 92235898	\$55.73
Screw, Mounting (2/Side)¶	R	11609539	\$4.09
	L	11609539	\$4.09
Nut (2/Side)¶	R	11513599	\$4.48
	L	11513599	\$4.48

¶Included w/Wheelhouse Liner Assy

6 Emblem, Fender (Adhesive)	R	.2 15223483	\$7.76
	L	.2 15223483	\$7.76
7 Nameplate (Adhesive)			
"Camaro"	R	.2 92199526	\$9.86
	L	.2 92199526	\$9.86

Mudguard Kit (a)

Dealer Installed

Black, (Code GBA)	#	92214931	\$199.00
Cyber Gray, (Code GBV)	#	92229701	\$199.00
Inferno Orange, (Code GCR)	#	92214928	\$199.00
Rally Yellow, (Code GCO)	#	92214929	\$199.00
Red Jewel, (Code GAQ)	#	92214930	\$199.00
Victory Red, (Code GCN)	#	92214927	\$199.00

(a) Includes Front & Rear Mud Flaps

#See Headnotes for Labor Time

2010 Chevrolet Camaro SS Coupe

## UNDERHOOD DIMENSIONS

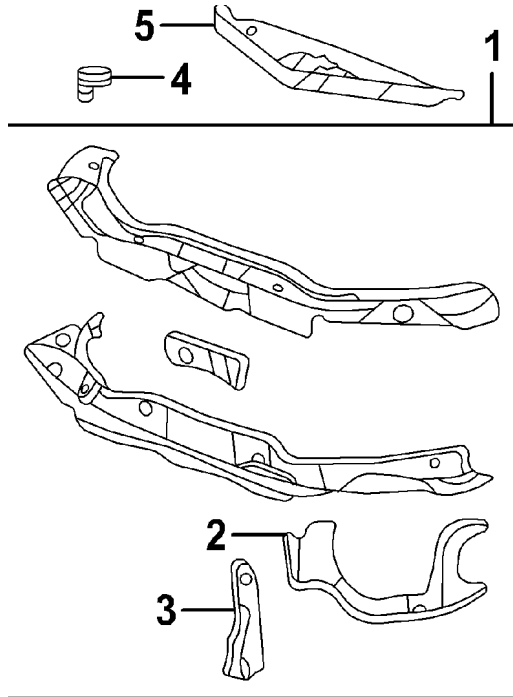
Information not available at time of publication.

2010 Chevrolet Camaro SS Coupe

## FRONT INNER STRUCTURE

Procedures 8 and 28

FRONT



001-27942

Refinish Upper Tie Bar Assy			1.4	
Add to R&R Upper Tie Bar Assy				
w/Aux Trans Cooler			.9	
To R&I/R&R Base Model Mechanical Components		#1.8		
#Includes R&I/R&R Condenser, Air Bag Sensors, Ambient Temp Sensor				
To Aim Lamps			.4	
Evacuate & Recharge System			1.4	
Recover Refrigerant			.3	
1 Bar Assy, Upper Tie	#6.8	92223641		\$271.14
#Includes R&I/R&R Combination Lamps, Hood Latch, Front Weatherstrip, Air Cleaner Duct, Washer Reservoir, Coolant Reservoir, Lower Air Baffle, Disconnect & Connect Hood Release Cable & Wiring/Harness as Necessary				
2 Panel, Headlamp Mtg	R	1.5	92231929	\$18.63

2010 Chevrolet Camaro SS Coupe

	L	1.5	92231930	\$18.63
3 Reinf, Upper¶	R	.8	92194077	\$8.73
	L	.8	92193466	\$8.73

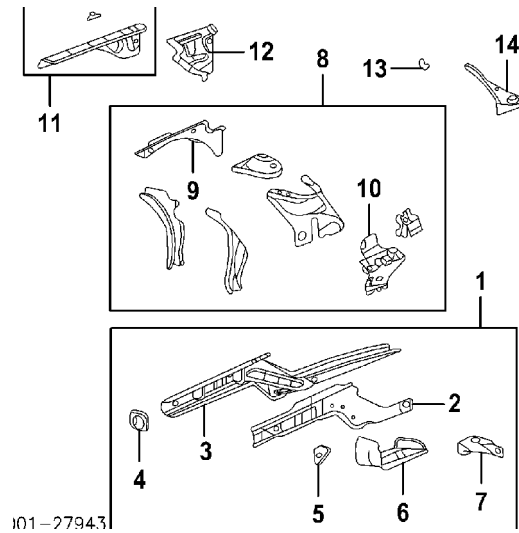
¶Included w/Upper Tie Bar Assy

4 Sensor, Ambient Temp	#.3	25775833	\$5.51
------------------------	-----	----------	--------

#w/Front Bumper Cover Removed

5 Support, Upper	.2	92238008	\$31.20
------------------	----	----------	---------

SIDE



Refinish Apron/Side Rail Assy

R 1.5

L 1.5

Refinish Side Rail Assy

R 1.0

L 1.0

Refinish Inner Side Rail

R .8

L .8

Refinish Front Wheelhouse Panel Assy

R 1.0

L 1.0

Refinish Inner Upper Rail

R .6

L .6

Refinish Front Bracket

R .6

L .6

Refinish Wheelhouse Brace

R .6

L .6

Refinish Brace Panel

R .5

L .5

2010 Chevrolet Camaro SS Coupe

Refinish Rear Wheelhouse Panel	R	.8		
	L	.8		
Section Inner Side Rail	R	6.0		
	L	6.0		
Section Outer Side Rail	R	7.0		
	L	7.0		

NOTE: Refer to General Motors Collision Repair Service Procedures for sectioning information.

1 Rail Assy, Side (HSLA)	R	#10.5	N.A.	
	L	#10.5	N.A.	
2 Rail, Outer Side (HSLA)¶	R	#8.5	92235118	\$532.34
	L	#8.5	92235116	\$532.49

#w/Wheelhouse Panel Removed Deduct 1.0, w/Upper Tie Bar Removed Deduct .5

3 Rail, Inner Side (HSLA)¶	R	13.5	92235119	\$318.80
	L	13.5	92235117	\$318.98
4 Bracket, Impact Bar (HSLA)¶	R	1.0	92229343	\$34.44
	L	1.0	92229344	\$34.44
5 Reinf, Upper (HSLA)¶	R		92229597	\$11.10
	L		92229598	\$7.69
6 Outrigger, Front Rail (HSLA)¶	R	3.5	92234901	\$62.66
	L	3.5	92234900	\$62.66
7 Brace, Panel (HSLA)¶	R	1.5	92193361	\$10.49
	L	1.5	92193362	\$10.49

¶Included w/Side Rail Assy

8 Panel Assy, Front Wheelhouse	R	#8.8	92223647	\$150.31
	L	#8.8	92223648	\$141.83

#Includes R&R Wheelhouse Brace

9 Rail, Upper Inner (a)	R	3.0	92234042	\$29.49
	L	3.0	92234043	\$29.49
10 Bracket, Front (a)	R	2.5	N.A.	
	L	2.5	N.A.	

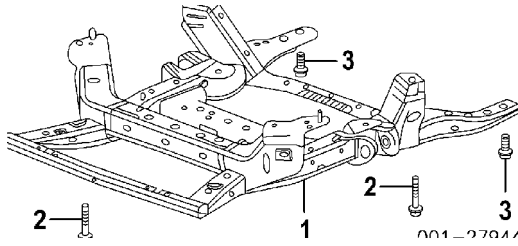
(a) Included w/Front Wheelhouse Panel Assy

11 Brace, Wheelhouse (HSLA)	R	3.5	92200397	\$22.14
	L	3.5	92200396	\$22.14
12 Brace, Panel	R	3.0	92202564	\$96.41
	L	3.0	92202563	\$96.41
13 Bracket, Hood Strut	R	.4	92206493	\$3.42

2010 Chevrolet Camaro SS Coupe

14 Panel, Whlhse Rear	R	2.5	92229560	\$18.69
	L	2.5	92229561	\$18.69

**SUB-FRAME**



**R&I Sub-Frame Assy**

#5.6

#w/Front Bumper Cover Removed

1 Sub-Frame	#7.3	92235255	\$843.58
-------------	------	----------	----------

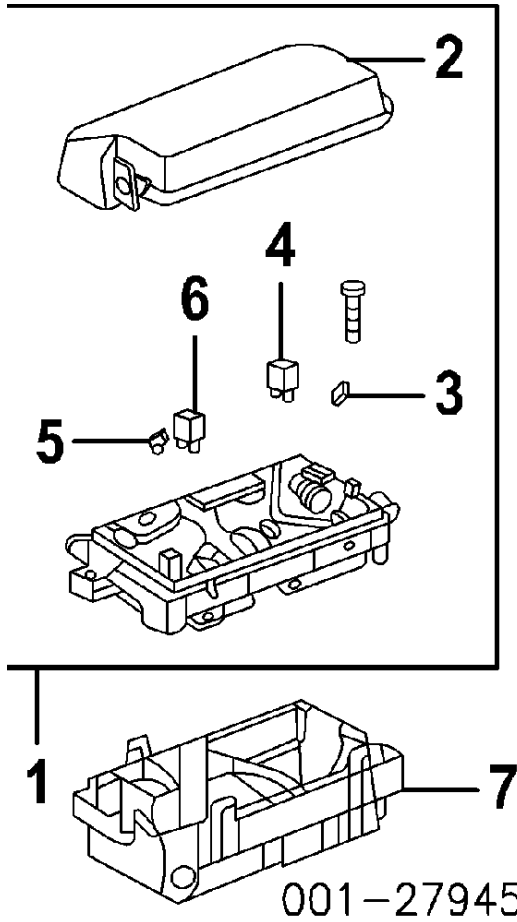
#w/Front Bumper Cover Removed

Bolt, Sub-Frame

2 Type 1, (4)		11561377	\$5.95
3 Type 2, (2)		11589366	\$3.51

**ELECTRICAL COMPONENTS**

2010 Chevrolet Camaro SS Coupe



1	Block Assy, Fuse	92238272	\$209.73
2	Cover, Fuse Box¶	.1 92229384	\$6.10
3	Fuse, Mini (a) (b)¶	12092079	\$5.48
4	Relay (a) (b)¶	.3 19116057	\$15.42
	(a) As Required		
	(b) Order by Application		
	Fuse¶		
5	30 Amp	15822417	\$4.25
6	40 Amp	15209748	\$4.32
	¶Included w/Fuse Block Assy		
7	Retainer, Fuse Block	92223656	\$42.08
	Harness, Eng Wiring (b)		
	3.6L Eng		
	Man Trans	92234013	\$298.99
	Auto Trans	92234012	\$300.33
	6.2L Eng		
	Man Trans	92238351	\$301.98

2010 Chevrolet Camaro SS Coupe

Auto Trans	92238350	\$353.74
(b) Order by Application Cable, Ground	92196653	\$36.83

2010 Chevrolet Camaro SS Coupe

## AIR BAG SYSTEM

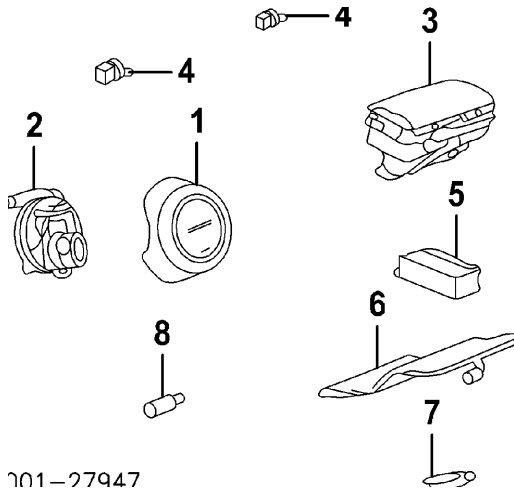
### Procedure 30

NOTE 1: R&R Does Not include disable and enable or diagnose Air Bag System.

NOTE 2: Refer to Procedural Explanation 30 for Supplemental Restraint/Air Bag System Component Inspection and Replacement Information.

NOTE 3: For Air Bag System Service procedures, refer to Manufacturer's Service Repair Manual or Mitchell's Air Bag Service and Repair Manual.

### FRONT



101-27947

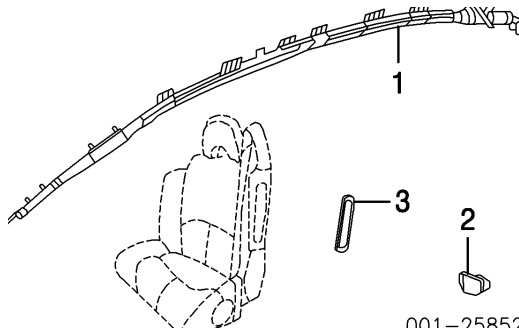
Disable & Enable Air Bag System			.5	
Diagnose Air Bag System			#.5	
#Includes Disconnect & Connect Scan Tool & Retrieve/Clear Trouble Codes				
Add to Initialize Occupant Detection ECU			.4	
1 Module, Driver Air Bag		.4	92237116	\$670.56
2 Coil, SIR		1.0	20810972	\$35.94
3 Module, Passenger Air Bag		#.6	92234409	\$670.69
#w/Instrument Panel Removed				
4 Sensor, Front Air Bag	R	#.5	13502340	\$64.87
	L	#.5	13502340	\$64.87
#R&R Both .8				
5 Module, Sensor/Diagnostic		#.5	13503645	\$209.03
#w/Center Console Removed				
6 Sensor, Passenger Mass	R	#.8	92225722	\$209.03

2010 Chevrolet Camaro SS Coupe

7 Module, Pass Presence System	R	#.4	92240177	\$209.03
8 Sensor, Seat Position	R	#.3	94706446	\$64.87
	L	#.3	94706446	\$64.87
#w/Seat Assy Removed				
Bracket, Sensor	R		92234433	\$17.26
Pretensioner, Seat Belt-See Seat Belts Section				
Indicator, Air Bag Module (a)		.4	20846676	\$31.02

(a) Included w/Roof Console Assy-listed in Roof Section

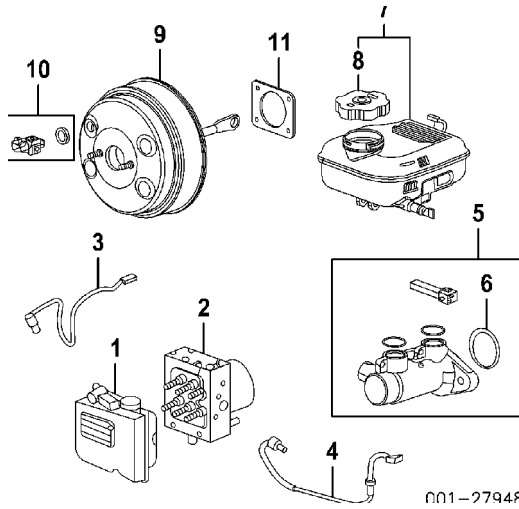
**SIDE**



Disable & Enable Air Bag System			.5	
Diagnose Air Bag System		#.5		
#Includes Disconnect & Connect Scan Tool & Retrieve/Clear Trouble Codes				
1 Module, Side Curtain Air Bag	R	#.8	92237643	\$209.03
	L	#.8	92237642	\$209.03
#w/Headliner Removed				
2 Sensor, Side Impact	R	#.4	13502341	\$64.87
	L	#.4	13502341	\$64.87
#w/Lower Quarter Trim Removed				
3 Module, Seat Air Bag				
Passenger Side		#.6	92232337	\$209.03
Driver Side		#.6	92232332	\$209.03
#w/Seat Assy Removed				

2010 Chevrolet Camaro SS Coupe

ABS/BRAKES



Bleed System

.8

NOTE: R&R Does Not include bleed brake system.

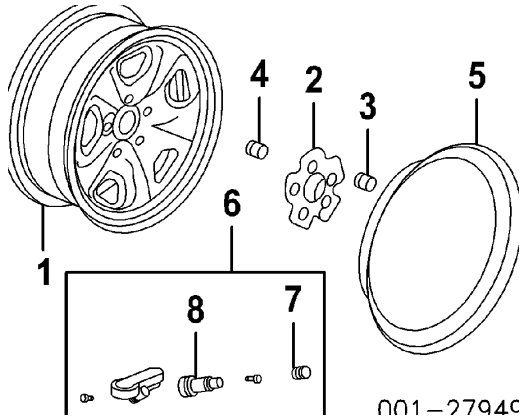
1	Module, ABS	.9	92240018	\$349.02
2	Valve, Brake Modulator	1.5	92240017	\$603.64
3	Sensor, Front ABS	R #.7	92199861	\$16.95
		L #.7	92199861	\$16.95
	#R&R Both 1.2			
4	Sensor, Rear ABS	R #.6	92199862	\$17.13
		L #.6	92199862	\$17.13
	#R&R Both 1.0			
5	Cylinder Assy, Brake Master			
	3.6L Eng	1.0	92234620	\$114.02
	6.2L Eng	1.0	92234612	\$122.58
6	Seal, Cylinder¶		25897561	\$3.71
	¶Included w/Brake Master Cylinder Assy			
7	Reservoir Assy, Brake	.5	92234622	\$40.02
8	Cap, Reservoir (a)		19151462	\$16.90
	(a) Included w/Brake Reservoir Assy			
9	Booster, Brake	#1.8	92234618	\$159.44
	#Includes R&R Brake Master Cylinder			
10	Valve, Check	.3	92234619	\$36.14
11	Gasket, Booster		92234610	\$3.51

2010 Chevrolet Camaro SS Coupe

WHEEL

Procedure 10

STEEL WHEEL



Refinish Wheel

.5

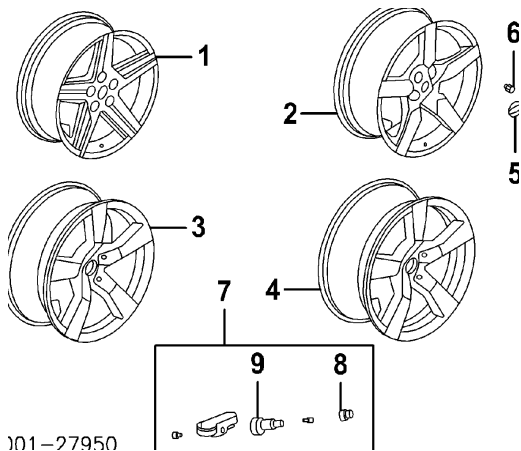
Add to R&I Spare Wheel & Tire Assy

.2

1 Wheel, Steel	.3	92197458	\$199.22
2 Cap, Hub		92200401	\$11.61
3 Cap, Lug Nut		92200401	\$11.61
4 Nut, Lug		9595175	\$1.37
5 Ring, Wheel Trim		92236236	\$24.98
6 Sensor Assy, Tire Pressure		12768826	\$66.28
7 Cap		25858636	\$4.27
8 Valve, Tire		15263240	\$8.74

¶ Included w/Tire Pressure Sensor Assy

ALLOY WHEEL



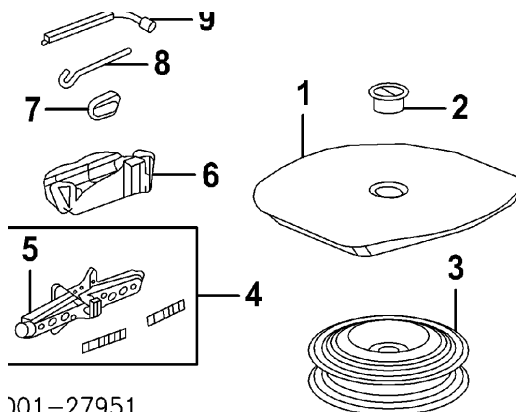
101-27950

2010 Chevrolet Camaro SS Coupe

<b>Add to R&amp;I Spare Wheel &amp; Tire Assy</b>		.2	
Wheel, Alloy			
1	18x7-1/2"	.3	92197466 \$402.81
2	19x8"		
	RPO-PZ5	.3	92197468 \$435.73
	RPO-Q9B	.3	92197469 \$497.92
3	20x8"		
	Front		
	w/RS Pkg	.3	92230891 \$581.78
	w/o RS Pkg		
	RPO-Q9J	.3	92230892 \$700.58
	RPO-Q9K	.3	92230890 \$581.78
4	20x9"		
	Rear		
	w/RS Pkg	.3	92230895 \$580.37
	w/o RS Pkg		
	RPO-Q9J	.3	92230896 \$713.22
	RPO-Q9K	.3	92230894 \$581.78
5	Cap, Center		92202223 \$4.44
6	Nut, Lug		9597846 \$1.68
			12768826
7	Sensor Assy, Tire Pressure		\$66.28
8	Cap¶		25858636 \$4.27
9	Valve, Tire¶		15263240 \$8.74

¶Included w/Tire Pressure Sensor Assy

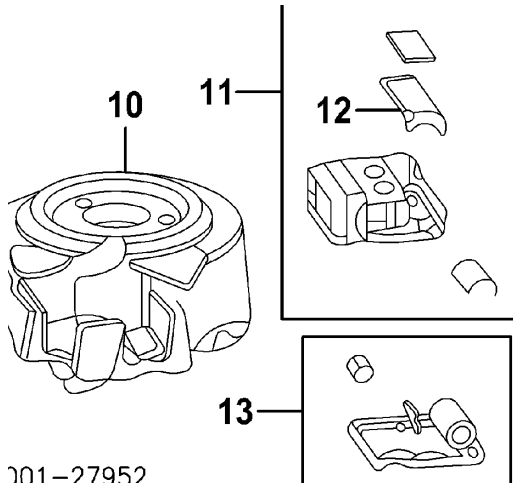
**SPARE WHEEL & HARDWARE**



101-27951			
1	Cover, Spare Tire	92230761	\$69.68
2	Retainer, Cover	92208061	\$10.53
3	Wheel, Spare	92230888	\$76.46
4	Jack Assy	92236233	\$77.77

2010 Chevrolet Camaro SS Coupe

5 Jack	13500009	\$59.19
Included w/Jack Assy		
6 Container, Jack	92200810	\$8.04
7 Strap, Securing (a)	25892541	\$17.61
(a) Order by Application		
8 Handle, Jack	25892542	\$10.98
9 Handle, Lug Wrench/Jack	13503936	\$28.69

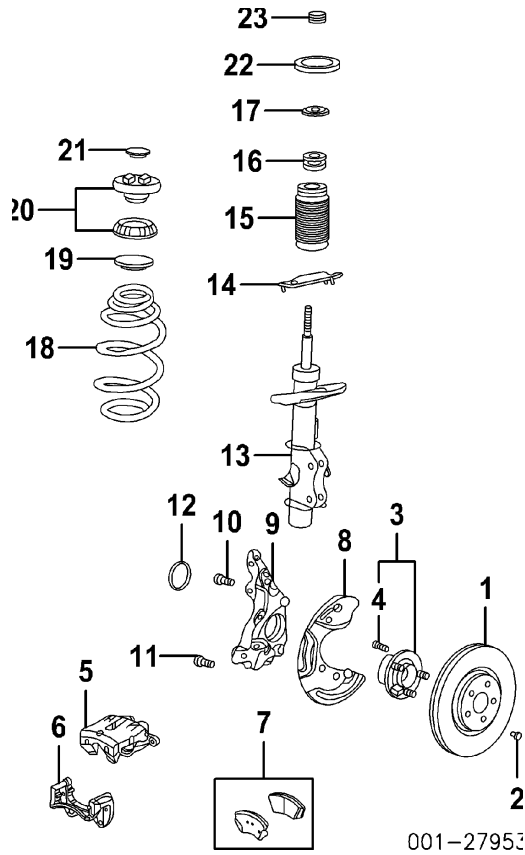


10 Compartment, Compressor	92200812	\$30.86
11 Compressor Assy, Air	92230764	\$127.32
12 Cover (b)	92238124	\$10.98
(b) Included w/Air Compressor Assy		
13 Sealant, Tire	92238126	\$35.75

2010 Chevrolet Camaro SS Coupe

## FRONT SUSPENSION

### Procedure 11



R&I Suspension (One Side)

R	2.0
L	2.0

O/H Suspension (Includes R&I)

One Side (Includes R&I)

R	3.2
L	3.2

Both Sides (Includes R&I)

6.0

Adjust Four Wheel Alignment

2.6

Bleed Brake System

1.0

NOTE 1: R&I/R&R or O/H Does Not include alignment or bleed brake system.

NOTE 2: All Parts in this section are included in overhaul unless noted otherwise.

1 Rotor, Brake

3.6L Eng

R	#.6	13501320	\$80.68
---	-----	----------	---------

L	#.6	13501320	\$80.68
---	-----	----------	---------

6.2L Eng

R	#.6	92213817	\$131.98
---	-----	----------	----------

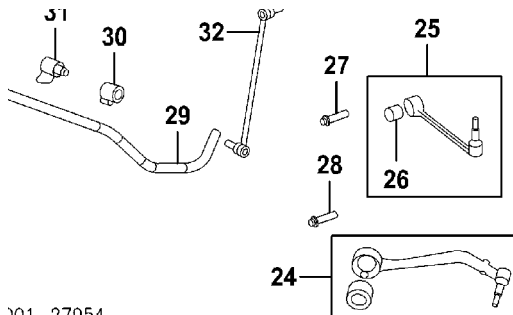
2010 Chevrolet Camaro SS Coupe

	L	#.6	92213817	\$131.98
#R&R Both 1.0				
2 Bolt, Rotor	R		11570339	\$4.25
	L		11570339	\$4.25
3 Hub Assy, Wheel	R	#1.0	13502216	\$264.10
	L	#1.0	13502216	\$264.10
#Includes R&R Rotor				
4 Bolt, Hub (5/Side)¶	R		11588811	\$4.42
	L		11588811	\$4.42
¶Included w/Wheel Hub Assy				
5 Caliper, Brake				
3.6L Eng	R	#.5	13279640	\$122.64
	L	#.5	13279641	\$122.64
6.2L Eng	R	#.5	92233188	\$141.01
	L	#.5	92233189	\$141.01
6 Bracket, Caliper				
3.6L Eng	R	#.5	13279659	\$105.71
	L	#.5	13279659	\$105.71
#R&R One Side Complete, R&R Both Sides .8				
7 Pad, Brake				
3.6L Eng		#1.0	92230269	\$175.00
6.2L Eng		#1.0	89047725	\$192.13
#Deduct .5 for Each Caliper Removed				
Hose, Brake				
LS, LT Model	R	#.3	92229714	\$47.46
	L	#.3	92229715	\$47.46
SS Model	R	#.3	92229712	\$48.92
	L	#.3	92229713	\$48.92
#w/Caliper Removed Deduct .2				
8 Shield, Brake	R	#.2	92199930	\$5.86
	L	#.2	92199929	\$5.86
#w/Hub Removed				
9 Knuckle, Steering	R	#1.4	92233626	\$147.38
	L	#1.4	92233625	\$147.38
#Includes R&R Rotor, Hub & Splash Shield, R&R Both Sides 2.6				
10 Bolt, Knuckle Mtg (2/Side)	R		11570788	\$3.98
	L		11570788	\$3.98
11 Bolt, Hub/Knuckle (3/Side)	R		92139142	\$9.22
	L		92139142	\$9.22

2010 Chevrolet Camaro SS Coupe

12	Shield, Bearing	R	#1.4	92199863	\$3.51
		L	#1.4	92199863	\$3.51
	#Included in R&R Knuckle				
13	Strut	R	#2.0	N.A.	
		L	#2.0	N.A.	
14	Insulator, Lower	R	#2.0	92204001	\$4.42
		L	#2.0	92204001	\$4.42
15	Boot, Strut	R	#2.0	92233971	\$22.87
		L	#2.0	92233971	\$22.87
16	Bumper, Strut	R	#2.0	13219136	\$5.76
		L	#2.0	13219136	\$5.76
17	Retainer, Strut	R	#2.0	13502407	\$3.51
		L	#2.0	13502407	\$3.51
18	Spring, Coil				
	3.6L Eng	R	#2.0	92195448	\$57.04
		L	#2.0	92195448	\$57.04
	6.2L Eng	R	#2.0	92195450	\$56.14
		L	#2.0	92195450	\$56.14
19	Insulator, Upper	R	#2.0	13219091	\$6.96
		L	#2.0	13219091	\$6.96
20	Mount, Strut	R	#2.0	20859330	\$58.06
		L	#2.0	20859330	\$58.06
21	Washer, Mount	R	#2.0	13502405	\$3.51
		L	#2.0	13502405	\$3.51
22	Plate, Mounting	R	#2.0	13501349	\$5.41
		L	#2.0	13501349	\$5.41
23	Nut, Strut	R	#2.0	11569637	\$9.01
		L	#2.0	11569637	\$9.01

#R&R One Side Complete, R&R Both Sides 3.8, w/Knuckle Removed Deduct .9



24	Arm, Lower Front Control	R	#1.3	92236898	\$108.89
		L	#1.3	92236899	\$108.89

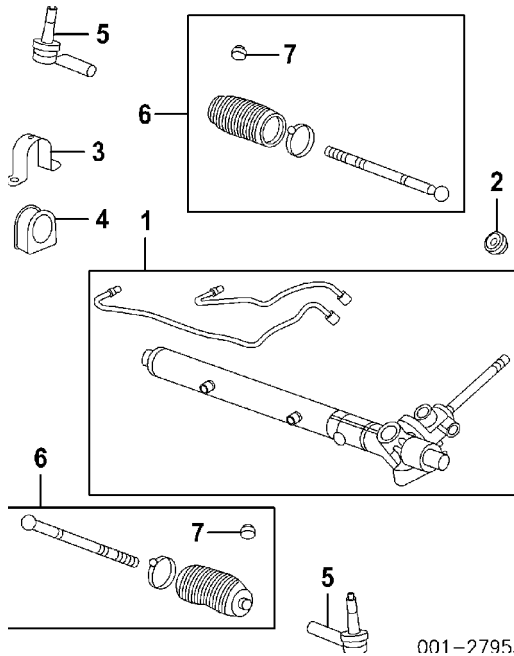
#w/Knuckle Removed Deduct .5, R&R Both Sides 2.4

2010 Chevrolet Camaro SS Coupe

25	Arm Assy, Lower Rear Control	R	#.9	92195442	\$65.68
		L	#.9	92195441	\$65.68
	#w/Knuckle Removed Deduct .5				
26	Bushing, Control Arm (a)	R	#.2	92199892	\$12.18
		L	#.2	92199892	\$12.18
	(a) Included w/Lower Rear Control Arm Assy				
	#w/Lower Control Arm Assy Removed				
27	Bolt, Adjuster	R		92139085	\$4.51
		L		92139085	\$4.51
28	Bolt, Lower Control Arm	R		92139061	\$21.99
		L		92139061	\$21.99
29	Bar, Stabilizer				
	3.6L Eng		#1.8	92233403	\$77.24
	6.2L Eng		#1.8	92233404	\$122.05
	#Includes R&R Stabilizer Links, Brackets & Bushings, Not Included in O/H				
30	Bushing, Stab Bar	R	#1.0	92199900	\$11.28
		L	#1.0	92199900	\$11.28
31	Bracket, Stab Bar	R	#1.0	92195494	\$12.42
		L	#1.0	92195494	\$12.42
	#R&R Complete, Not Included in O/H				
32	Link, Stabilizer	R	#.4	92205112	\$25.04
		L	#.4	92205111	\$25.04
	#Not Included in O/H				

2010 Chevrolet Camaro SS Coupe

## FRONT STEERING LINKAGE/GEAR



### R&I Steering Gear

2.4

NOTE: R&I/R&R Does Not include check or adjust alignment.

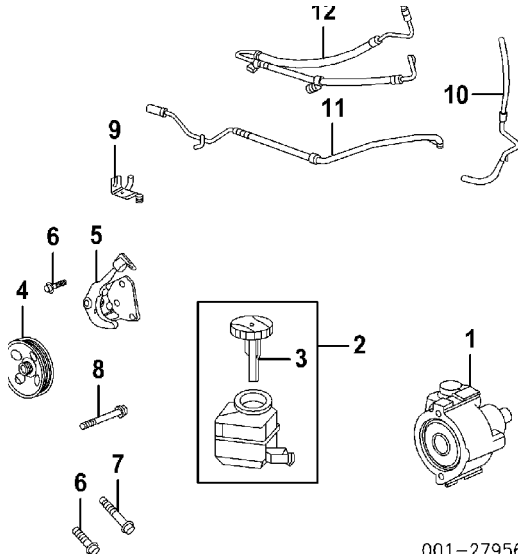
1 Gear, Steering		2.8	92233478	\$408.17
2 Cover, Housing			92227442	\$7.72
3 Bracket, Gear			92227433	\$19.66
4 Insulator, Gear			92227432	\$15.35
5 Rod End, Outer Tie¶	R	.4	92227431	\$34.67
	L	.4	92227431	\$34.67
¶Additional Parts Required				
6 Rod Assy, Inner Tie	R	#.8	92227430	\$39.60
	L	#.8	92227430	\$39.60
#Includes R&R Tie Rod End				
7 Nut, Gear (a)	R		11609282	\$3.51
	L		11609282	\$3.51

(a) Included w/Inner Tie Rod Assy

2010 Chevrolet Camaro SS Coupe

**STEERING PUMP**

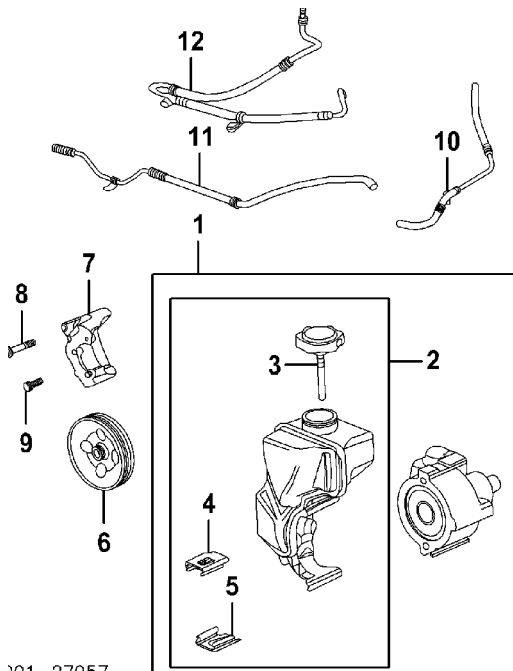
**3.6L ENG**



1 Pump, Steering	3.3	92229662	\$140.56
2 Reservoir Assy, Pump	.8	92227421	\$43.39
3 Cap, Reservoir¶		92227420	\$11.70
¶Included w/Steering Pump Assy			
4 Pulley, Pump	1.8	92068726	\$35.50
5 Bracket, Pump	#.3	92230319	\$358.95
#w/Pump Removed			
Bolt, Mounting			
6 Type 1, (2)		11518631	\$3.82
7 Type 2, (2)		11588742	\$6.21
8 Type 3, (3)		11588734	\$13.37
9 Bracket, Reservoir		92203657	\$8.71
10 Hose, Outlet	.7	92233428	\$38.45
11 Pipe, Outlet	.9	92235506	\$59.52
12 Hose, Inlet	1.1	92228380	\$79.02

**6.2L ENG**

2010 Chevrolet Camaro SS Coupe



101-27957

1 Pump Assy, Steering	3.0	92229662	\$140.56
2 Reservoir Assy, Pump¶	#.3	92227421	\$43.39
#w/Pump Assy Removed			
3 Cap, Reservoir (a)¶		92227420	\$11.70
Retainer, Reservoir (a)			
4 Upper		26059342	\$7.36
5 Lower		26059341	\$7.34

¶Included w/Steering Pump Assy

(a) Included w/Pump Reservoir Assy

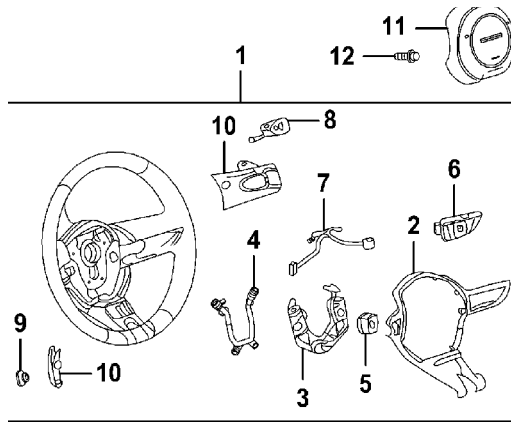
6 Pulley, Pump	1.3	12610794	\$35.35
7 Bracket, Pump	#.3	12610792	\$17.82
#w/Pump Removed			
Bolt, Mounting			
8 Type 1, (3)		11588747	\$3.65
9 Type 2, (3)		11588725	\$4.73
10 Hose, Outlet	.7	92228382	\$33.95
11 Pipe, Outlet	.9	92235506	\$59.52
12 Hose, Inlet	1.1	92235616	\$80.21

2010 Chevrolet Camaro SS Coupe

## STEERING WHEEL/COLUMN

NOTE: All Parts in this section are included in overhaul unless noted otherwise.

### WHEEL & TRIM



101-2795R

1 Wheel Assy, Steering		
w/Redundant Controls		
LS Model	.8 92236321	\$242.12
LT Model		
Black	.8 92236321	\$242.12
Green	.8 92236317	\$333.47
Light Stone	.8 92236315	\$333.47
Orange	.8 92236316	\$333.47
SS Model		
Light Stone¶	.8 92236319	\$349.96
Orange	.8 92236320	\$349.96
w/o Redundant Controls		
LS Model¶	.8 92236329	\$183.95
LT Model		
Black¶	.8 92236327	\$275.42
Light Stone	.8 92236326	\$275.42
Orange	.8 92236324	\$275.42
SS Model		
Light Stone¶	.8 92236322	\$293.28
Orange	.8 92236323	\$293.28
¶Order by Application		
2 Bezel, Steering Wheel (a)	92236350	\$59.14
3 Contact, Horn (a)	92236306	\$20.42
4 Wire, Horn Contact (a)	92236305	\$14.12
5 Switch, Cruise Control (a)	1.0 92219335	\$44.55
6 Switch, Multi-Function (a)	1.0 92219336	\$42.93
7 Harness, Column (a)¶		
w/Redundant Controls	92236308	\$63.78

2010 Chevrolet Camaro SS Coupe

w/o Redundant Controls 92236310  
 †Order by Application

(a) Included w/Steering Wheel Assy

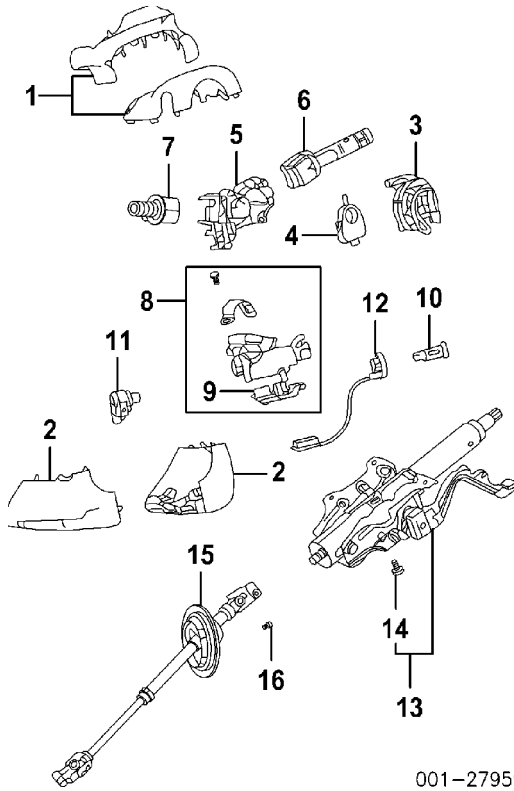
Switch, Trans Shift

8 Up-Shift	.4	92225254	\$29.54
9 Down-Shift	.4	92225253	\$29.54
10 Plate, Switch	R	92236312	\$18.11
	L	92236311	\$18.11

11 Module, Driver Air Bag-See Air Bag System Section

12 Bolt, Steering Wheel (3) 92232528

COLUMN TILT



001-27959

R&I Steering Column 1.7

O/H Steering Column (Includes R&I) 3.8

1 Cover, Upper Column	#1.0	92240629	\$65.49
2 Cover, Lower Column	R #1.0	92235618	\$17.22
	L #1.0	92235619	\$11.85

#R&R Complete

2010 Chevrolet Camaro SS Coupe

3 Coil, SIR-See Air Bag System Section

4 Sensor, Steering Angle		1.6 25849366	\$52.15
5 Bracket, Switch		1.4 92227550	\$11.93
6 Switch, Wiper	R	1.1 25991658	\$42.30
7	L	1.1 25991660	\$56.07
8 Housing, Ignition			
Man Trans		1.3 92227552	\$50.00
Auto Trans		1.3 92227551	\$50.00

9 Solenoid, Lock-Serviced w/Ignition Housing

10 Cylinder, Lock		.8 20766607	\$36.14
11 Switch, Ignition		1.1 92184907	\$17.49
12 Module, Theft Deterrent		1.2 13502301	\$34.12
13 Column Assy, Steering		2.4 92199281	\$346.53
14 Bolt, Column (4)¶		92221863	\$10.99

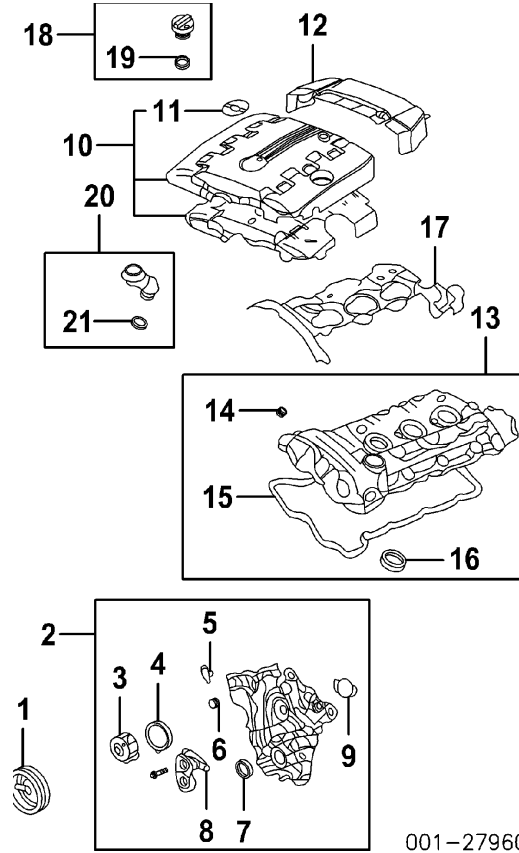
¶Included w/Steering Column Assy

15 Shaft, Intermediate		.9 92201217	\$227.54
16 Bolt, Shaft		26023730	\$7.34

## ENGINE/TRANSMISSION

### Procedure 12

### 3.6L ENG



### R&I Engine/Trans Assy

12.8

1	Balancer, Crankshaft		
	Man Trans	2.0	12626355 \$72.81
	Auto Trans	2.0	12615141 \$74.15
2	Cover Assy, Timing	#7.7	12626079 \$497.44
	#Includes R&R Crankshaft Pulley		
3	Pump, Water¶	1.2	12618472 \$248.80
4	Gasket, Water Pump¶		12576326 \$26.66
5	Sensor, Camshaft Position¶	.8	12615371 \$24.00
6	Seal, Camshaft¶		12593717 \$4.11
7	Seal, Crankshaft¶		12608750 \$8.34
8	Tensioner, Drive Belt¶	#.8	12575509 \$101.22
	#Includes R&R Drive Belt		
9	Seal, Water Pump¶		12593045 \$10.72

2010 Chevrolet Camaro SS Coupe

¶ Included w/Timing Cover Assy

Belt, Drive-See Cooling Section

10	Cover Assy, Upper Engine	.4	92236184	\$85.92
11	Emblem (a)		92068693	\$37.68

(a) Included w/Upper Engine Cover Assy

12	Cover, Rear	#.3	12603359	\$28.90
	#R&R Both .5			
13	Cover Assy, Valve	R #2.7	12626054	\$129.22
		L #2.7	12624804	\$133.54

#R&R Both 3.2, Included in R&R Timing Cover

14	Seal, Cover Bolt (c) (d)	R	12595122	\$4.34
		L	12595122	\$4.34
	(d) As Required			
15	Gasket, Valve Cover (c)	R	12595107	\$27.12
		L	12607401	\$35.69
16	Seal, Cover (3/Side) (c)	R	12607600	
		L	12607600	

(c) Included w/Valve Cover Assy

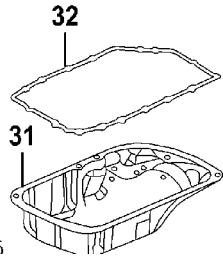
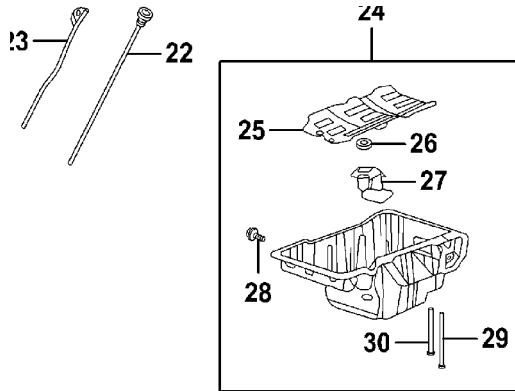
17	Insulator, Upper	R	12601745	\$49.74
		L	12603147	\$39.20
18	Cap Assy, Oil Filler	L	12593353	\$17.21
19	Seal, Cap (e)	L	12593348	\$2.81

(e) Included w/Oil Filler Cap Assy

20	Tube Assy, Oil Filler	L	12633172	\$15.52
21	Seal, Tube (f)	L	12593348	\$2.81

(f) Included w/Oil Filler Tube Assy

2010 Chevrolet Camaro SS Coupe

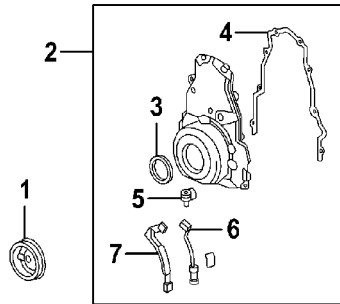
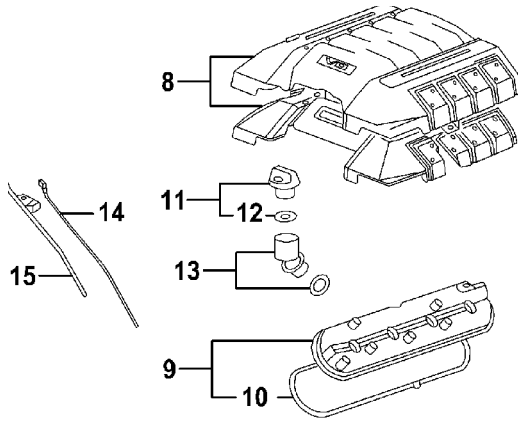


101-27965

22 Dipstick, Eng Oil		12611594	\$16.67
23 Tube, Dipstick	.7	12612349	\$16.90
24 Pan Assy, Engine Oil	#2.2	12611900	\$118.93
#w/Sub-Frame Removed			
25 Baffle, Eng Oil Pan (g)		12566872	\$339.60
26 Seal, Pipe (g)		12566837	\$5.06
27 Pipe, Oil (g)		12590407	\$29.88
28 Plug, Drain (g)		11562588	\$5.92
Bolt, Mounting (g)			
29 Type 1, (2)		11588424	\$1.74
30 Type 2, (6)		11588694	\$12.85
(g) Included w/Oil Pan Assy			
Sealant, Oil Pan		N.A.	
31 Pan, Trans Oil	1.6	24243526	\$37.32
32 Gasket, Trans Oil Pan		24225800	\$27.41

6.2L ENG

2010 Chevrolet Camaro SS Coupe



001-2796f

<b>R&amp;I Engine/Trans Assy</b>		14.3		
1 Balancer, Crankshaft		2.0	12617538	\$67.39
2 Cover Assy, Timing				
Man Trans		#11.7	12600325	\$115.53
Auto Trans		#11.7	12616491	\$161.51
#Includes R&R Crankshaft Pulley, Oil Pan				
3 Seal, Timing¶		12.0	12585673	\$27.24
4 Gasket, Timing Cover¶			12574294	\$25.99
5 Sensor, Camshaft Position¶		1.7	12591720	\$58.82
6 Wire, Sensor¶				
Man Trans			12593593	\$19.41
Auto Trans			12613158	\$44.42
7 Bracket, Camshaft¶			12627500	
¶Included w/Timing Cover Assy				
8 Cover, Upper Engine		.4	92068700	\$73.00
9 Cover Assy, Valve	R	#.8	12607722	\$136.39
	L	#.8	12607721	\$136.39
#R&R Both 1.2				
10 Gasket, Valve Cover (a)	R		12612045	\$22.61
	L		12612045	\$22.61

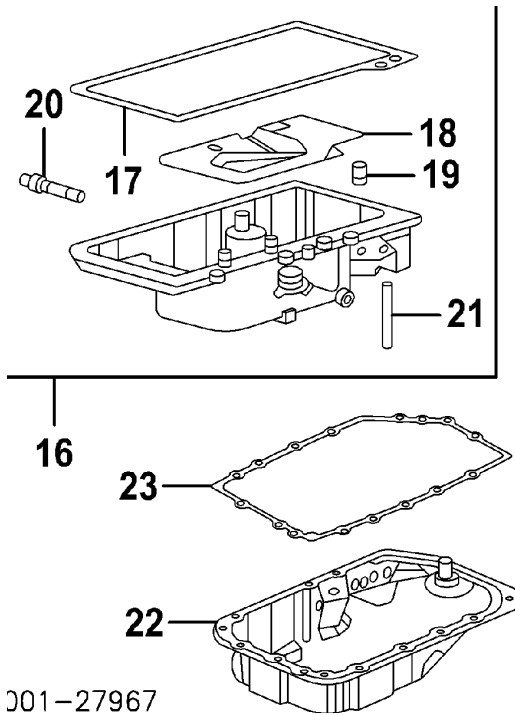
2010 Chevrolet Camaro SS Coupe

(a) Included w/Valve Cover Assy

11 Cap Assy, Oil Filler	R	12583570	\$23.17
12 Gasket, Cap (b)	R	24100002	\$2.72

(b) Included w/Oil Filler Cap Assy

13 Tube, Oil Filler	L	12609623	\$9.23
14 Dipstick, Eng Oil		12634547	\$18.95
15 Tube, Dipstick		.6 12625031	\$21.75



001-27967

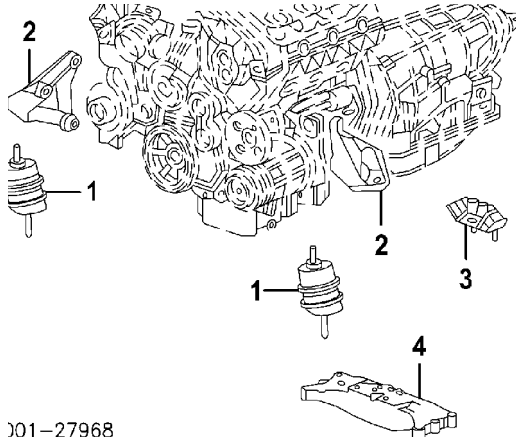
16 Pan Assy, Engine Oil #w/Sub-Frame Removed	#2.3	12622559	\$325.21
17 Gasket, Eng Oil Pan (c)		12612350	\$38.75
18 Baffle, Eng Oil Pan (c)		12615146	\$54.39
19 Valve, Pressure (c)		12608835	\$7.36
20 Sensor, Oil Level (c)	1.2	12603781	\$30.14
21 Bolt, Mounting (2) (c)		12554990	\$4.46

(c) Included w/Oil Pan Assy

22 Pan, Trans Oil	1.6	24235511	\$36.29
23 Gasket, Trans Oil Pan		24224781	\$18.61

2010 Chevrolet Camaro SS Coupe

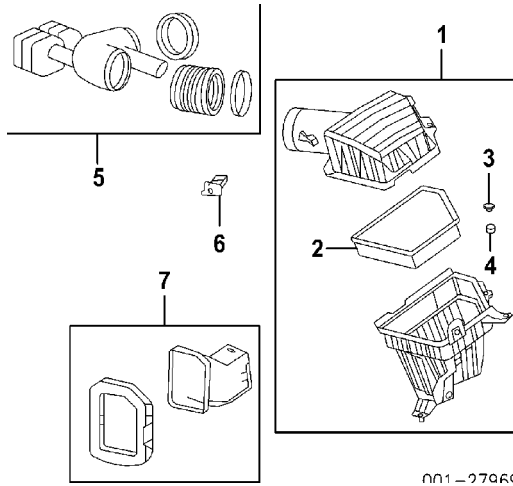
**ENGINE/TRANSMISSION MOUNTS**



001-27968				
1 Mount, Engine				
3.6L Eng	R	.8	92239455	\$99.60
	L	.8	92239455	\$99.60
6.2L Eng	R	.8	92239456	\$99.60
	L	.8	92239456	\$99.60
2 Bracket, Eng Mount				
3.6L Eng	R	#.3	92200268	\$42.08
	L	#.3	92200267	\$49.73
6.2L Eng	R	#.3	92200270	\$39.27
	L	#.3	92200269	\$41.47
#w/Mount Removed				
3 Mount, Trans				
3.6L Eng		.8	92200271	\$31.80
6.2L Eng		.8	92200273	\$27.52
4 Support, Trans				
3.6L Eng				
Man Trans		#1.0	92200277	\$56.06
Auto Trans		#1.0	92200274	\$55.13
6.2L Eng				
Man Trans		#1.0	92200277	\$56.06
Auto Trans		#1.0	92200274	\$55.13
#Includes R&R Trans Mount				

2010 Chevrolet Camaro SS Coupe

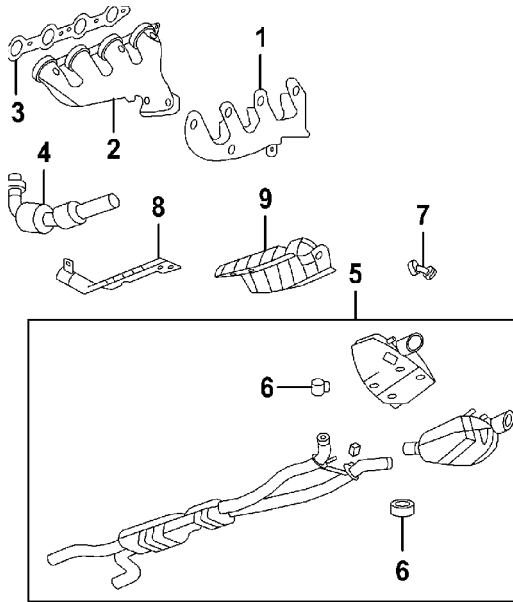
**AIR CLEANER**



<b>R&amp;I Air Cleaner Assy</b>		.6	
1 Cleaner Assy, Air			
3.6L Eng	.6	92212304	\$450.00
6.2L Eng	.6	92212302	\$450.00
2 Element, Air Cleaner¶	.3	92196275	\$31.13
3 Spacer (2)¶		25774949	\$3.77
4 Insulator¶		25774677	\$3.68
¶Included w/Air Cleaner Assy			
5 Duct, Outlet			
3.6L Eng	.3	92229094	\$66.64
6.2L Eng	.3	92196314	\$63.12
6 Sensor, Mass Air Flow			
3.6L Eng	.3	92196278	\$80.00
6.2L Eng	.3	15865791	\$104.12
Gasket, Air Flow			
6.2L Eng		15813321	\$10.31
7 Duct, Intake	.3	92196281	\$7.37

2010 Chevrolet Camaro SS Coupe

EXHAUST



101-27970

R&I Exhaust System Complete

#3.4

R&R Exhaust System Complete

#3.8

#Does Not Include R&R Exhaust Manifolds or Shields

1 Shield, Manifold Heat

3.6L Eng

R #.6 12617267 \$21.25

L #.6 12580706 \$21.25

6.2L Eng

R #.6 12596750

L #.6 12611200 \$42.17

#Included in R&R Exhaust Manifold

2 Manifold, Exhaust

3.6L Eng

R #1.7 12571101 \$154.00

L #2.0 12571102 \$154.00

#R&R Both Sides 3.0

6.2L Eng

Man Trans¶

R #3.7 12611641 \$121.00

L #3.2 12611638 \$168.49

Auto Trans

R #3.7 12611641 \$121.00

L #3.2 12611641 \$121.00

¶Order by Application

#R&R Both Sides 6.2

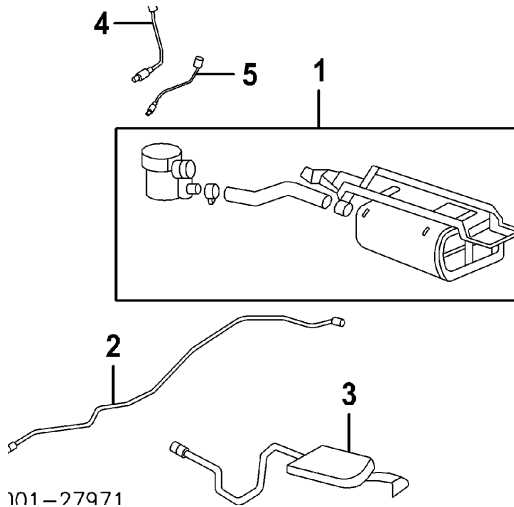
3 Gasket, Manifold

2010 Chevrolet Camaro SS Coupe

3.6L Eng	R		12608475	\$21.49
	L		12576262	\$24.05
6.2L Eng	R		12617944	\$15.28
	L		12617944	\$15.28
Sensor, Oxygen-See Emission System Section				
4 Converter, Catalytic				
3.6L Eng	R	1.2	92225675	\$138.04
	L	1.2	92225674	\$137.12
6.2L Eng				
Man Trans	R	1.2	92225677	\$442.86
	L	1.2	92225676	\$442.86
Auto Trans	R	1.2	92225679	\$171.31
	L	1.2	92225678	\$171.27
5 Muffler Assy				
3.6L Eng		1.0	92242127	\$1,021.68
6.2L Eng				
Man Trans		1.0	92242129	\$1,021.68
Auto Trans		1.0	92242128	\$978.78
6 Clamp, Pipe (a) (b)				
			92202996	\$23.86
(a) Included w/Muffler Assy				
(b) As Required				
7 Hanger, Muffler (2)				
			92231199	\$18.73
8 Shield, Front Heat				
	R	#.3	92199553	\$17.19
	L	#.3	92199554	\$17.73
9 Shield, Intermediate Heat				
		#.4	92199552	\$17.59
#w/Exhaust System Removed				

2010 Chevrolet Camaro SS Coupe

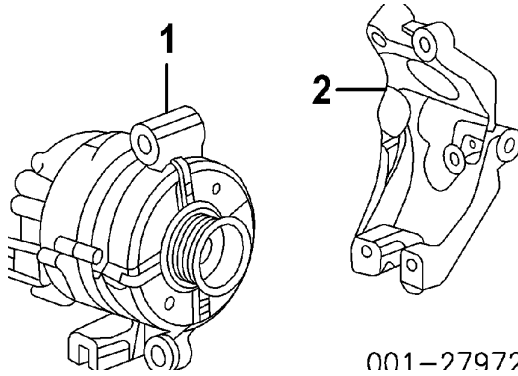
**EMISSION SYSTEM**



101-27971			
1	Canister, Vapor	#.7	92226690 \$139.29
#w/Rear Suspension/Sub-Frame Removed			
2	Pipe, Canister		92232027 \$43.89
3	Hose, Canister Valve Sensor, Oxygen	.5	92225689 \$40.74
4	Front	R	.7 12617332 \$134.82
		L	.7 12617332 \$134.82
5	Rear	R	.5 12609457 \$65.78
		L	.5 12609457 \$65.78

2010 Chevrolet Camaro SS Coupe

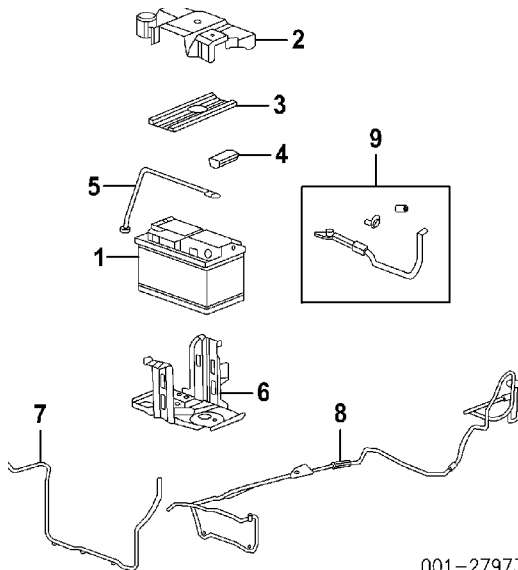
**ELECTRICAL**  
**ALTERNATOR**



1 Alternator			
3.6L Eng	.8	13502988	\$279.28
6.2L Eng			
Man Trans	1.0	13501721	\$249.81
Auto Trans	1.0	13502989	\$307.16
2 Bracket, Alternator			
3.6L Eng		12612734	\$24.82
6.2L Eng		12610789	\$43.86

Belt, Drive-See Cooling Section

**BATTERY**

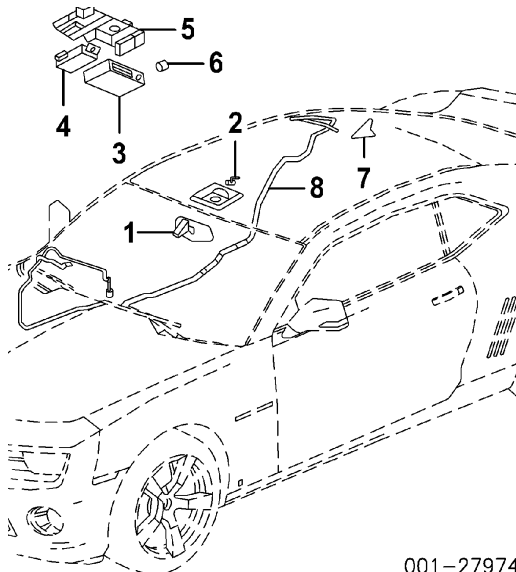


1 Battery	.5	N.A.	
2 Cover, Battery		92233222	\$17.54
3 Support, Battery		92204667	\$8.02
4 Retainer, Hold-Down		92229632	\$6.58

2010 Chevrolet Camaro SS Coupe

5 Tube, Vent		92228938	\$12.63
6 Tray, Battery	#.8	92199150	\$24.56
#Includes R&R Battery			
7 Harness, Positive Battery			
3.6L Eng		92232546	\$117.48
6.2L Eng		92232545	\$136.70
8 Cable, Positive Battery		92232543	\$220.10
9 Cable, Negative Battery	.4	92232544	\$87.51

COMMUNICATIONS SYSTEM

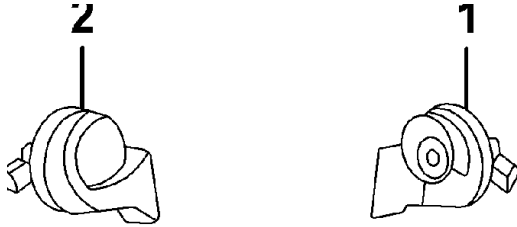


001-27974

1 Mirror, Rear View-See Windshield Section			
2 Microphone-See Roof Section			
3 Module, Communication			
w/Voice Command	.6	20842731	\$353.22
w/o Voice Command	.6	20842730	\$324.73
4 Battery, On-Star Module		88861186	\$92.95
5 Bracket, Module		92240626	\$17.46
6 Antenna, Bluetooth		15938939	\$39.02
7 Antenna, Combination			
w/Sunroof	.7	92239706	\$46.82
w/o Sunroof	.7	92239705	\$46.82
8 Cable, Antenna	1.8	N.A.	

HORN

2010 Chevrolet Camaro SS Coupe



101-27975

Horn

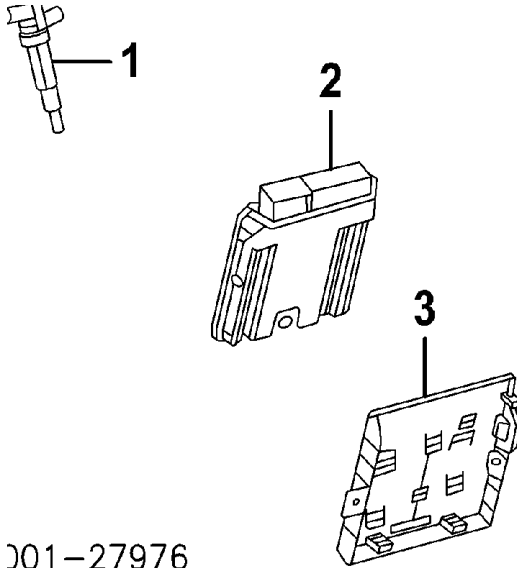
- 1 400Hz
- 2 500Hz

#.3	92228138	\$17.55
#.3	92228137	\$17.55

#w/Bumper Removed

**IGNITION**

3.6L ENG



101-27976

R&R Ignition Coils Complete

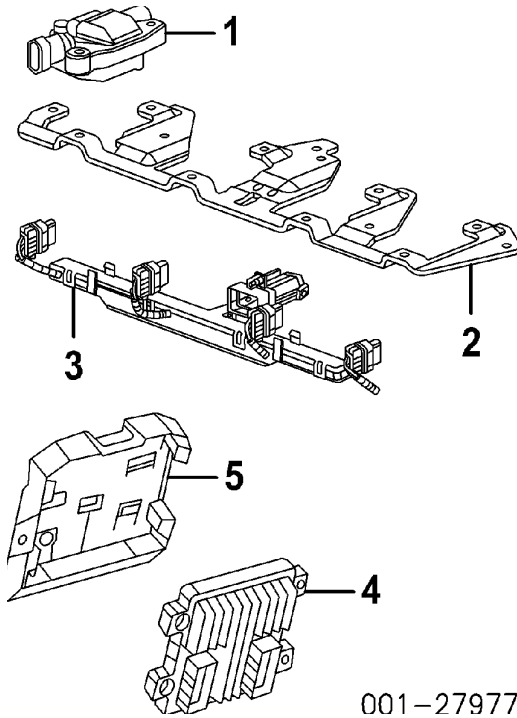
- 1 Coil, Ignition (6)
- 2 Module, ECM
- 3 Bracket, ECM Mounting

1.0		
.4	12632479	\$83.50
.7	12617230	\$473.47
	92241771	\$11.75

**IGNITION**

6.2L ENG

2010 Chevrolet Camaro SS Coupe



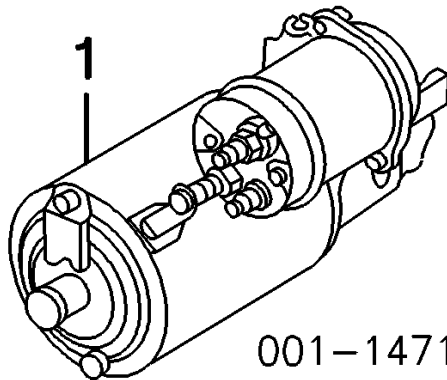
001-27977

**R&R Ignition Coils Complete**

1 Coil, Ignition (8)		
Delphi Brand	.4 12573190	\$118.48
Mitsubishi Brand	.4 12611424	\$108.67
2 Bracket, Coil	12580353	\$35.26
3 Wire, Ignition Coil	12579355	\$37.83
4 Module, ECM	.7 12617230	\$473.47
5 Bracket, ECM Mounting	92241771	\$11.75

1.2

**STARTER**



001-14713

1 Starter		
3.6L Eng	1.6 12610857	\$264.57

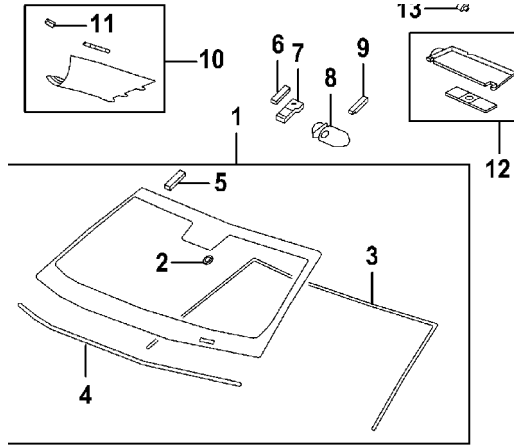
2010 Chevrolet Camaro SS Coupe

6.2L Eng	2.0 12617229	\$238.55
Shield, Starter Heat		
3.6L Eng	12616647	\$30.01
6.2L Eng	12629286	\$17.02

2010 Chevrolet Camaro SS Coupe

## WINDSHIELD

### Procedure 13



R&I Windshield

#3.4

#Includes Clean Up Old Adhesive as Necessary

#### 1 Glass, Windshield

Chevrolet

w/Remote Start

#3.0

92221715

\$566.53

w/o Remote Start

#3.0

92221714

\$566.53

NAGS

w/Remote Start

#3.0

DW01814GTY

w/o Remote Start

#3.0

DW01813GTY

#Includes Clean Up Old Adhesive as Necessary

#### 2 Bracket, Rear View Mirror-Serviced w/Windshield Glass

#### 3 Moulding, Upper Reveal-Serviced w/Windshield Glass

#### 4 Seal, Lower Glass-Serviced w/Windshield Glass

#### 5 Bracket, Remote-Serviced w/Windshield Glass

Adhesive, Glass

N.A.

#### 6 Receiver, Remote Control

#.3

13501981

\$58.84

#### 7 Cover, Remote Control

#.3

92216814

\$4.51

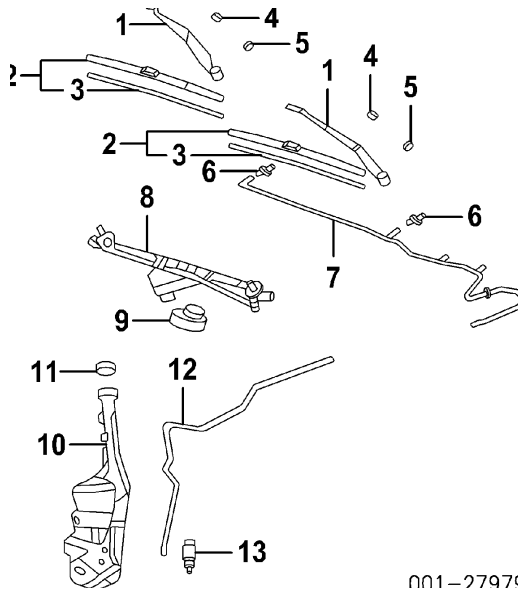
#R&R Complete, Included in R&R Windshield

2010 Chevrolet Camaro SS Coupe

8 Mirror, Rear View			
w/On-Star			
w/Light Sensitive Mirror		.3 13503048	\$139.54
w/o Light Sensitive Mirror		.3 13503046	\$104.69
w/o On-Star		.3 13503047	\$127.47
Harness, Roof-See Roof Section			
9 Cover, Wiring Harness		92219252	\$3.42
10 Moulding Assy, Side Garnish			
Black	R	.3 92235188	\$26.39
	L	.3 92235186	\$26.39
Titanium	R	.3 92236958	\$26.39
	L	.3 92236959	\$26.39
11 Clip, Moulding¶	R	11610951	\$8.46
	L	11610951	\$8.46
¶Included w/Side Garnish Moulding Assy			
12 Visor, Sun			
Black	R	.2 92236029	\$48.61
	L	.2 92236026	\$48.61
Titanium	R	.2 92236030	\$48.61
	L	.2 92236027	\$48.61
13 Support, Sun Visor			
Black	R	92234413	\$3.54
	L	92234413	\$3.54
Titanium	R	92234414	\$3.54
	L	92234414	\$3.54

WIPER SYSTEM

2010 Chevrolet Camaro SS Coupe



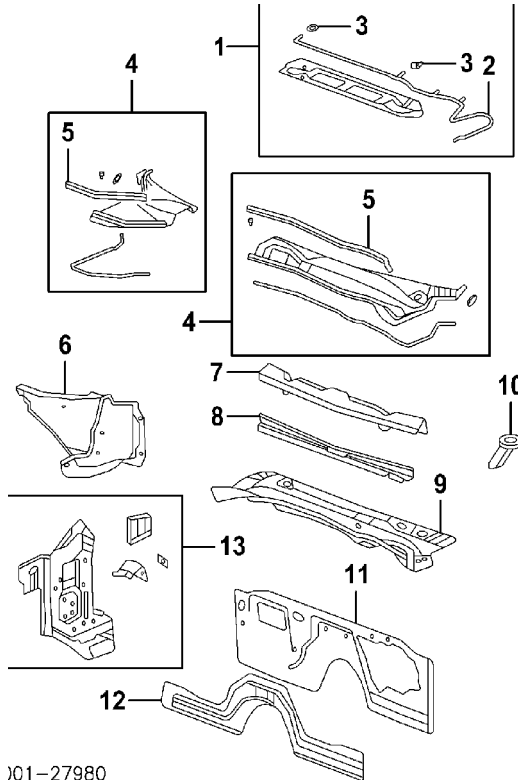
001-2797C

1 Arm, Wiper	R	#.2	92231675	\$35.64
	L	#.2	92231674	\$35.64
#Includes R&R Wiper Blade				
2 Blade Assy, Wiper	R	.1	92231677	\$10.83
	L	.1	92231676	\$10.83
3 Insert, Wiper¶	R	.1	92212325	\$7.50
	L	.1	92212324	\$7.50
¶Included w/Wiper Blade Assy				
4 Cap, Nut	R		10341324	\$5.87
	L		10341324	\$5.87
5 Nut, Wiper	R		11609634	\$5.29
	L		11609634	\$5.29
6 Nozzle, Washer-See Cowl & Dash Section				
7 Hose, Washer-See Cowl & Dash Section				
8 Transmission, Wiper		#1.2	92231682	\$95.39
9 Motor, Wiper		#1.2	92212322	\$180.35
#R&R Complete, Includes R&R Air Inlet Grille				
10 Reservoir, Washer		#.5	92221383	\$42.11
11 Cap, Reservoir			13227300	\$5.82
12 Hose, Pump			92214708	\$19.42
13 Pump, Reservoir		#.5	92214706	\$35.09
#R&R Complete				

2010 Chevrolet Camaro SS Coupe

**COWL & DASH**

Procedures 14 and 28



101-27980

Refinish Plenum Panel

Refinish Side Cowl Panel

			1.3	
	R		1.0	
	L		1.0	
1 Panel Assy, Inner			92233790	\$46.39
2 Hose, Washer¶			92240337	\$27.72
3 Nozzle, Washer¶	R		92233791	\$17.54
	L		92233791	\$17.54
¶Included w/Inner Panel Assy				
4 Grille Assy, Air Inlet	R	.2	92237779	\$49.88
	L	#.6	92237778	\$58.76
#Includes R&R Right Side, Includes R&L/R&R Wiper Arms				
5 Weatherstrip, Rear Hood (a)	R	.1	92237776	\$15.14
	L	.1	92237777	\$14.49
(a) Included w/Air Inlet Grille Assy				
6 Panel, Air Inlet			92240838	\$44.95

2010 Chevrolet Camaro SS Coupe

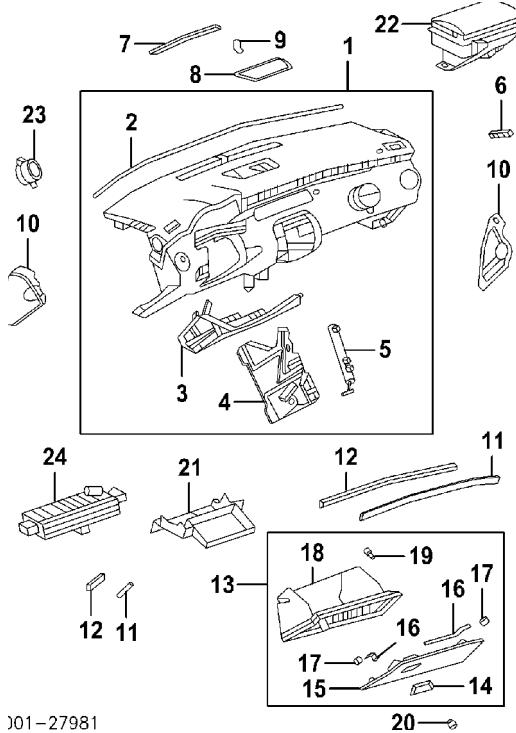
7 Panel, Plenum	#4.8	92202522	\$27.75
8 Panel, Front Plenum	#3.5	N.A.	
9 Panel, Lower Plenum	#6.0	N.A.	

#w/Windshield & Interior Trim Removed

10 Hose, Drain		92228458	\$11.27
11 Panel, Dash-Not Serviced			
12 Bar, Crossmember Supt		92223650	\$172.88
13 Panel, Side Cowl	R	4.0 92238268	\$305.54
	L	4.0 92238269	\$305.54

## INSTRUMENT PANEL

### Procedure 14



101-27981

R&I Instrument Panel Carrier

#7.0

#Includes R&I Instrument Panel

R&I Instrument Panel

4.6

NOTE: All Parts in this section are included in R&R Instrument Panel Assy unless noted otherwise.

#### 1 Panel Assy, Instrument

##### Enhanced Speaker System

1st Design	7.2	92240645	\$828.89
2nd Design	7.2	92240645	\$828.89

##### Premium Speaker System

Cloth Seats			
1st Design	7.2	92240644	\$863.26
2nd Design	7.2	92240644	\$863.26
Leather Seats	7.2	92239055	\$488.96

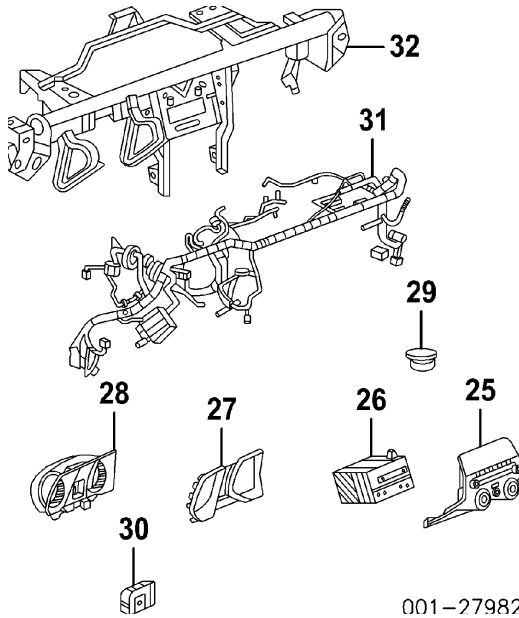
2 Seal, Upper¶		92194230	\$5.56
3 Bolster, Driver Knee¶	.5	92235057	\$104.95
4 Bracket, Support¶		92232161	\$59.04
5 Dampener¶		92240646	\$11.95

2010 Chevrolet Camaro SS Coupe

¶Included w/Instrument Panel Assy

Grille, Defroster Outlet			
6	Outer	R	.3 92238389 \$3.51
		L	.3 92238390 \$3.51
7	Center		.3 92240518 \$10.50
8	Grille, Speaker		.1 92218860 \$109.60
9	Sensor, Headlamp		.3 13245029 \$13.16
10	Cover Assy, Side Panel	R	.1 92240523 \$21.30
		L	.1 92240522 \$22.51
	Retainer, Cover (a) (b)	R	92139132 \$3.54
		L	92139132 \$3.54
(a) Included w/Side Panel Cover Assy			
(b) As Required			
11	Applique, Inst Panel (c)	R	92240105 \$83.02
		L	92240104 \$45.46
(c) Silver listed, Order by Application			
12	Retainer	R	N.A.
		L	N.A.
13	Box Assy, Glove		.5 92236517 \$186.93
14	Latch, Glove Box (d)		.2 96965074 \$17.25
15	Door, Glove Box (d)		.3 92234055 \$105.39
16	Rod, Latch (d)	R	92236514 \$151.74
		L	92236513 \$25.75
17	Retainer (d)	R	13500191 \$3.54
		L	13500191 \$3.54
18	Box, Glove (d)		.4 92234250 \$75.28
19	Bumper, Door (d)		22596346 \$4.40
(d) Included w/Glove Box Assy			
20	Cyl, Glove Box Lock		.2 20765510 \$41.30
21	Panel, Glove Box		.3 92240489 \$26.06
22 Module, Passenger Air Bag-See Air Bag System Section			
Outlet, Air Vent			
23	Outer	R	.3 92230768 \$18.95
		L	.3 92230768 \$18.95
24	Center		.3 92239557

2010 Chevrolet Camaro SS Coupe

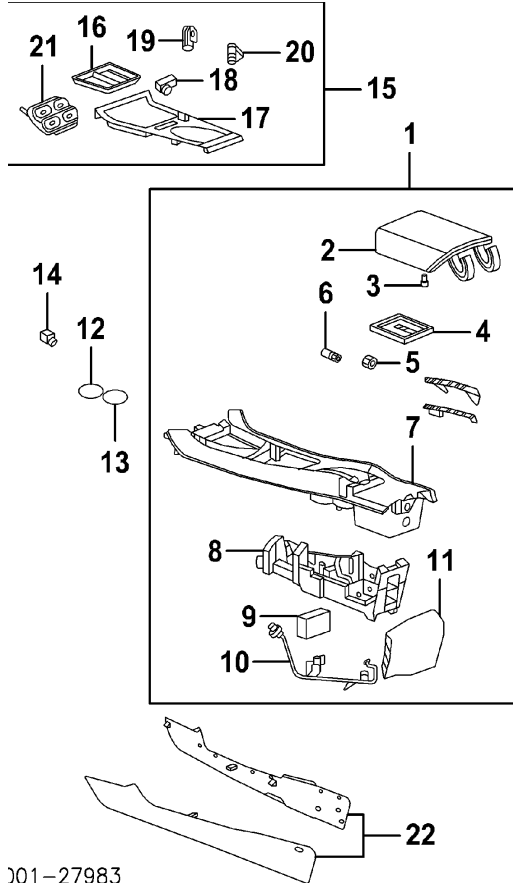


001-27982

25 Control, Radio (b) #Included in R&R Radio	#.6	92235959	\$396.89
26 Radio (b) (b) Order by Application	.9	20854719	\$367.12
27 Bezel, Instrument Cluster	.4	92240837	\$58.89
28 Cluster, Instrument (b) (b) Order by Application	1.0	92242408	\$238.63
29 Speaker, Radio Premium Sound System	.4	92199590	\$66.62
30 Switch, Dimmer w/Fog Lamps	.3	92218815	\$33.08
w/o Fog Lamps	.3	92218816	\$44.56
31 Harness, Instrument Panel (b) Man Trans	#	92238200	
Auto Trans	#	92238197	
(b) Order by Application #Not Included in R&R Instrument Panel			
32 Carrier, Instrument Panel #Includes R&R Instrument Panel	#8.4	92241185	\$364.84

## CENTER CONSOLE

### Procedure 14



001-27983

R&I Center Console Assy

1.0

NOTE: All Parts in this section are included in R&R Center Console Assy unless noted otherwise.

1 Console Assy, Upper¶	1.5	92239964	\$431.58
2 Armrest Assy (a)¶	.3	92240774	\$102.91
¶Order by Application			
3 Bumper, Door (a) (b)		3547884	\$4.14
(b) Included w/Armrest Assy			
4 Liner, Console (a)		92216339	\$3.54
5 Retainer, Receptacle (a)		92239071	\$7.89
6 Receptacle, Power (a)		13502523	\$4.82
7 Console, Upper (a)	.8	92240775	\$97.63
8 Reinf, Console (a)		92240767	\$46.74
9 Module, Media (a)	.6	20840958	\$90.69
10 Harness, Console (a)¶		92205058	\$67.46

2010 Chevrolet Camaro SS Coupe

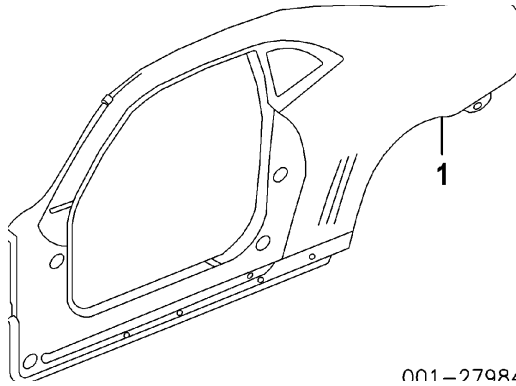
¶¶Order by Application		
11	Cover, Rear (a)	.4 92240778 \$21.39
(a) Included w/Upper Console Assy		
Liner, Cup Holder		
12	Front	92236710 \$9.91
13	Rear	92236711 \$9.91
		25832461
14	Receptacle, Pwr Accessory¶¶	\$17.98
¶¶Order by Application		
15	Cover Assy, Console¶¶	
	w/Gauges	.8 92239975 \$411.53
	w/o Gauges	.8 92228167 \$560.00
16	Liner, Console (c)	N.A.
17	Cover, Front (c)¶¶	92233050 \$70.67
¶¶Order by Application		
18	Switch, Traction Control (c)	.2 92218817 \$14.47
19	Receptacle, Power (c)	92230851 \$12.60
20	Retainer, Receptacle (c)	92239071 \$7.89
21	Gauge, Combination (c)¶¶	.4 92233046 \$245.88
¶¶Order by Application		
(c) Included w/Console Cover Assy		
22	Cover, Console Side	.6 92239974 \$418.33

2010 Chevrolet Camaro SS Coupe

## ROCKER/PILLARS/FLOOR

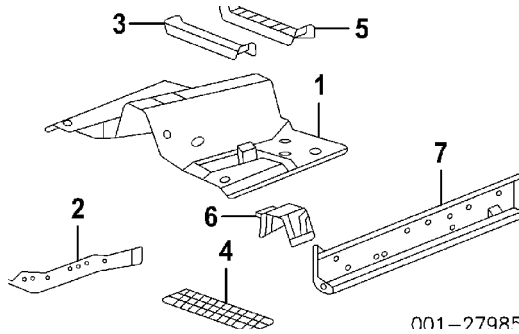
Procedures 14, 15 and 28

### ROCKER/PILLARS



1 Panel Assy, Outer Side Body-See Side Body Section

### FLOOR



1 Pan, Front Floor-Not Serviced

2 Rail, Side Inner

R 3.5 92202524 \$27.19

L 3.5 92202526 \$27.69

3 Bar, Front Cross

R 2.5 92202527 \$15.80

L 2.5 92202528 \$15.80

4 Brace, Front

2.5 92234132 \$72.56

5 Bar, Cross

R 2.8 92193163 \$28.78

L 2.5 92193164 \$28.78

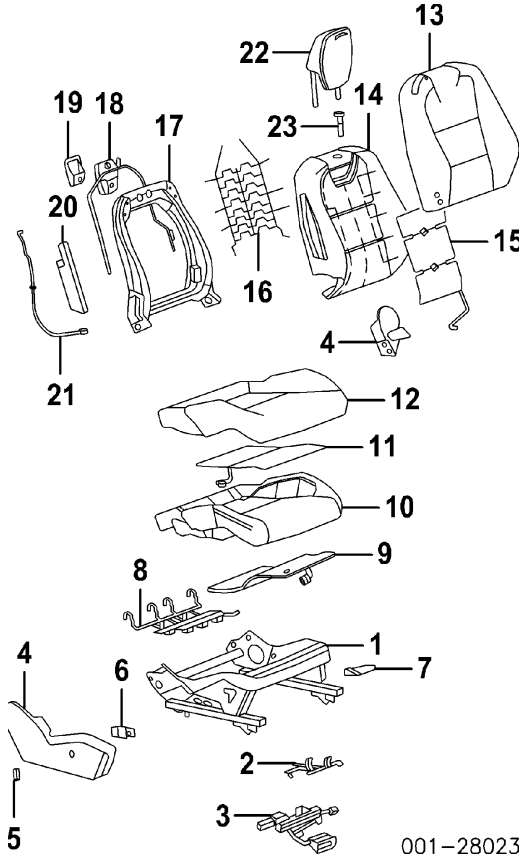
6 Bracket, Floor

6.5 92193350 \$25.39

7 Panel, Inner Rocker-See Side Body Section

2010 Chevrolet Camaro SS Coupe

**FRONT SEAT**  
**PASSENGER SIDE**



001-28023

**R&I Seat Assy**

1	Frame, Seat Cushion #w/Seat Assy Removed	#.9	13500818	\$300.09
2	Bracket, Seat Frame		92230453	\$19.09
3	Harness, Seat Wiring		92230465	\$73.17

Module, Pass Presence System-See Air Bag System Section

Sensor, Seat Position-See Air Bag System Section

Bracket, Sensor-See Air Bag System Section

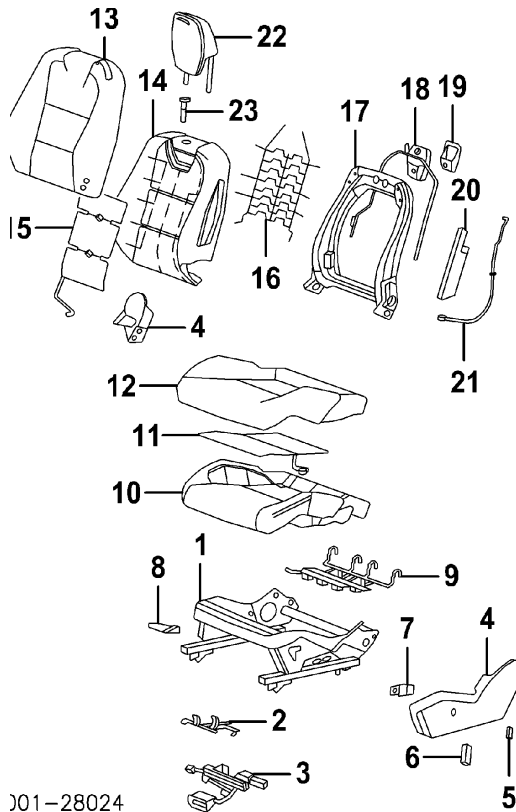
4	Cover, Recliner	R	.2 92230478	\$26.53
		L	.2 92230481	\$13.49
5	Knob, Recliner		15889530	\$3.81
6	Switch, Adjuster		92225806	\$31.58

2010 Chevrolet Camaro SS Coupe

7	Handle, Adjuster		92230488	\$13.54
8	Spring, Cushion		92230447	\$37.23
9 Sensor, Passenger Mass-See Air Bag System Section				
10	Pad, Seat Cushion	#.9	92230462	\$50.40
11	Heater, Seat Cushion	#.9	92230463	\$89.35
12	Cover, Seat Cushion¶	#.9	92230509	\$307.39
	#R&R Complete, w/Seat Assy Removed, Includes R&R Seat Cushion Frame			
13	Cover, Seat Back¶	#1.1	92230424	\$144.37
	¶Order by Application			
14	Pad, Seat Back	#1.1	92230410	\$93.25
15	Heater, Seat Back	#1.1	92230416	\$63.53
16	Support, Lumbar	#1.1	92230417	\$30.12
17	Frame, Seat Back	#1.1	13502067	
18	Lever, Seat Adjuster	#1.1	92230412	\$28.33
	#R&R Complete, w/Seat Assy Removed, Includes R&R Headrest			
19	Cover, Handle		92230414	\$15.39
20 Module, Seat Air Bag-See Air Bag System Section				
21	Wire, Jumper		92230419	\$24.51
22	Headrest¶	.2	92240095	\$58.28
	¶Order by Application			
23	Guide, Headrest	R	13500959	\$14.16
		L	13500958	\$3.98

DRIVER SIDE

2010 Chevrolet Camaro SS Coupe



001-28024

**R&I Seat Assy**

.3

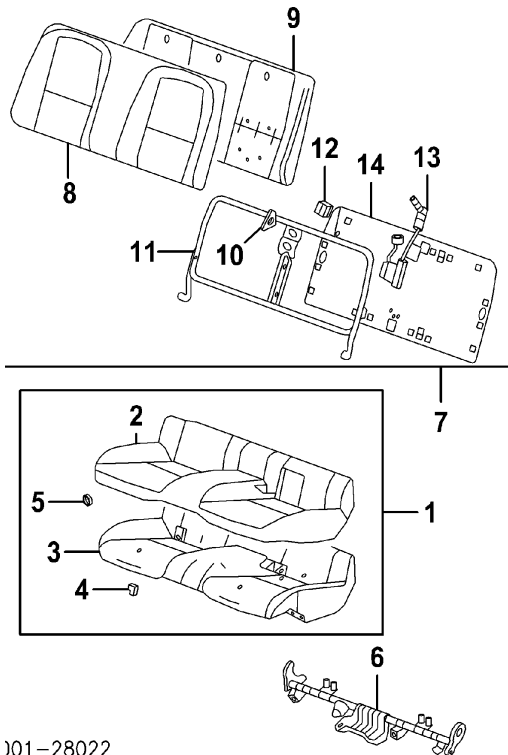
1	Frame, Seat Cushion			
	LS Model	#.9	13500819	\$379.58
	LT, SS Model	#.9	13500820	\$512.75
	#w/Seat Assy Removed			
2	Bracket, Seat Frame			
	LS Model		92230450	\$3.54
	LT, SS Model		92230453	\$19.09
3	Harness, Seat Wiring¶			
	LS Model		92230466	\$50.56
	LT, SS Model		92230467	\$73.28
	¶Order by Application			
	Sensor, Seat Position-See Air Bag System Section			
4	Cover, Recliner	R	.2 92230484	\$13.49
		L	.2 92230475	\$26.53
5	Knob, Recliner		15889530	\$3.81
6	Knob, Adjuster			
	LT, SS Model		15889525	\$3.81
7	Switch, Adjuster		25974714	\$45.54
8	Handle, Adjuster			

2010 Chevrolet Camaro SS Coupe

LS Model		92230488	\$13.54
9 Spring, Cushion		92230447	\$37.23
10 Pad, Seat Cushion	#.9	92230461	\$57.09
11 Heater, Seat Cushion	#.9	92230463	\$89.35
12 Cover, Seat Cushion¶	#.9	92240481	\$120.60
#R&R Complete, w/Seat Assy Removed, Includes R&R Seat Cushion Frame			
13 Cover, Seat Back¶	#1.1	92230424	\$144.37
¶Order by Application			
14 Pad, Seat Back	#1.1	92230408	\$92.58
15 Heater, Seat Back	#1.1	92230416	\$63.53
16 Support, Lumbar	#1.1	92230417	\$30.12
17 Frame, Seat Back	#1.1	13502067	
18 Lever, Seat Adjuster	#1.1	92230412	\$28.33
#R&R Complete, w/Seat Assy Removed, Includes R&R Headrest			
19 Cover, Handle		92230414	\$15.39
20 Module, Seat Air Bag-See Air Bag System Section			
21 Wire, Jumper		92230418	\$41.81
22 Headrest¶	.2	92240086	\$63.05
¶Order by Application			
23 Guide, Headrest	R	13500959	\$14.16
	L	13500958	\$3.98

2010 Chevrolet Camaro SS Coupe

REAR SEAT



101-28022

R&I Rear Seat Assy Complete

.5

R&I Seat Cushion

.3

1 Cushion Assy, Seat¶

.3 92218992

2 Cover, Cushion (a)¶

#.6 92230542 \$216.25

¶Order by Application

3 Pad, Seat Cushion (a)

#.6 92230537 \$186.40

#R&R Complete, w/Seat Cushion Removed

4 Retainer, Seat (a)

R 22719528 \$4.58

L 22719528 \$4.58

5 Ring, Retaining (a) (b)

89046281 \$1.44

(a) Included w/Seat Cushion Assy

(b) Order by Application

6 Bracket, Child Seat

92230535 \$134.49

7 Back Assy, Seat¶

.5 92218999

8 Cover, Seat Back (c)¶

#.9 92230523 \$190.77

¶Order by Application

9 Pad, Seat Back (c)

#.9 92230520 \$129.19

10 Actuator, Seat (c)

#.9 89042558 \$54.84

2010 Chevrolet Camaro SS Coupe

11	Frame, Seat Back (c)	#.9	92230625	\$125.86
12	Cover, Latch (c)	#.9	92230515	\$14.88
13	Latch, Seat (c)	#.9	92230516	\$36.95
14	Panel, Seat Back (c)	#.9	92230519	\$80.05

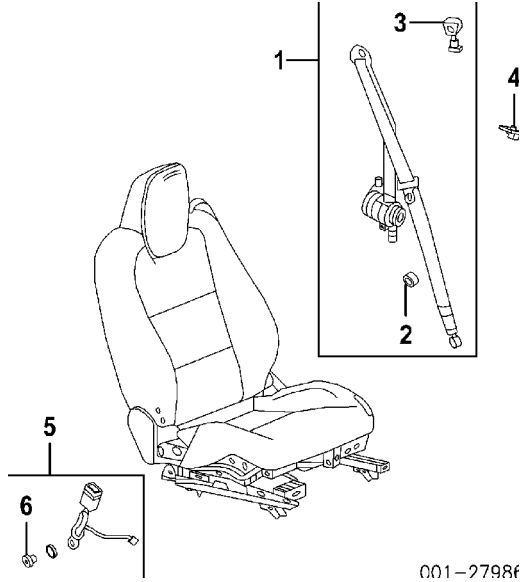
(c) Included w/Seat Back Assy

#R&R Complete, w/Seat Assy Removed

2010 Chevrolet Camaro SS Coupe

SEAT BELTS

FRONT



001-2798f

1 Belt Assy, Seat	R	#.9	19208824	\$138.05
	L	#.9	19208823	\$113.38

#Includes R&R Quarter Trim Panel

Pretensioner, Seat Belt-Serviced w/Seat Belt Assy¶

2 Stop, Belt¶	R		19209600	\$54.58
	L		19209600	\$54.58
3 Cover, Shoulder Guide¶	R		92234913	\$8.86
	L		92234913	\$8.86

¶Included w/Seat Belt Assy

4 Guide, Shoulder Belt	R		90379462	\$20.65
	L		90379462	\$20.65
5 Buckle Assy, Belt	R	#.3	19208822	
	L	#.3	19208821	

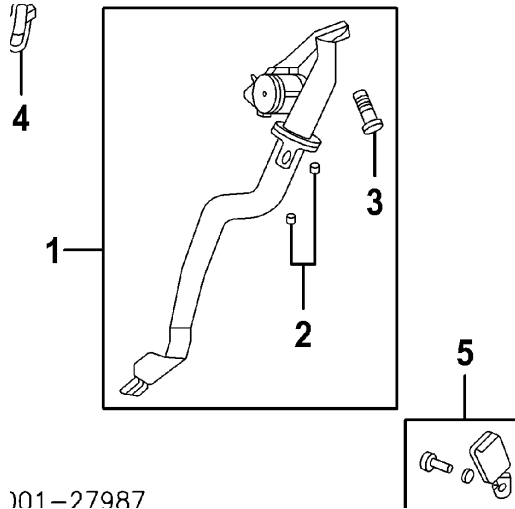
#w/Seat Assy Removed

6 Bolt, Mounting (a)	R		92139093	\$3.54
	L		92139093	\$3.54

(a) Included w/Belt Buckle Assy

REAR

2010 Chevrolet Camaro SS Coupe



101-27987

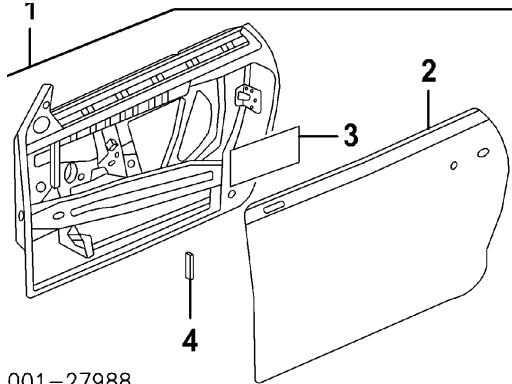
1 Belt Assy, Seat	R #.7	19208828	\$70.00
	L #.7	19208827	\$70.00
#w/Seat Assy Removed, Includes R&R Upper Front & Rear Trim Panels			
2 Stop, Belt¶	R	19209600	\$54.58
	L	19209600	\$54.58
3 Bolt, Mounting¶	R	11609725	\$3.81
	L	11609725	\$3.81
¶Included w/Seat Belt Assy			
4 Guide, Seat Belt	R	22584100	\$9.79
	L	22584100	\$9.79
5 Buckle, Seat Belt	R #.3	19208868	
	L #.3	19208868	
#w/Seat Assy Removed			

2010 Chevrolet Camaro SS Coupe

**FRONT DOOR**

Procedures 16 and 28

**SHEET METAL**



001-27988

Refinish Door Outside

R 2.3

L 2.3

Add for Jambs & Interior

R 1.0

L 1.0

Add for Jambs

R .5

L .5

R&I Door Assy

R 1.0

L 1.0

1 Shell Assy, Front Door

R #4.8 92213666 \$700.78

L #4.8 92213665 \$700.78

#Includes R&I Rear View Mirror Assy

2 Panel, Door Repair¶

R #6.6 92194864 \$309.56

L #6.6 92194865 \$309.56

#Includes R&I Rear View Mirror Assy, R&R Door Glass

3 Deadener, Sound¶

R 25752069 \$25.66

L 25752069 \$25.66

4 Plate, Hinge¶

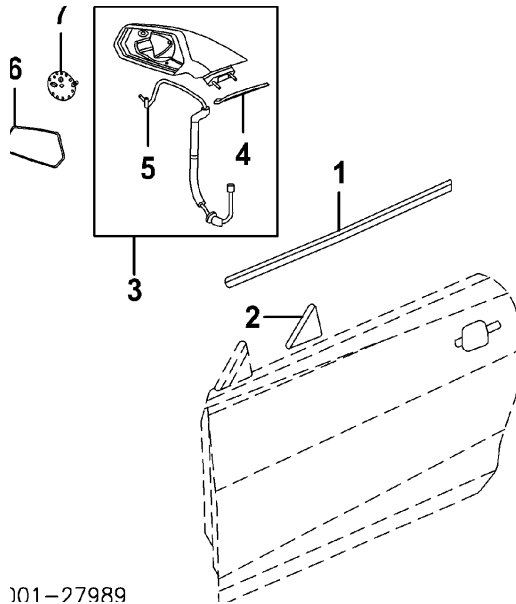
R 25701880 \$4.93

L 25701880 \$4.93

¶Included w/Front Door Shell Assy

**EXTERIOR TRIM**

2010 Chevrolet Camaro SS Coupe



101-27989

Refinish Rear View Mirror Assy

R .5

L .5

R&I Rear View Mirror Assy

R #.7

L #.7

#Includes R&I Trim Panel

R&I Outer Belt Moulding

R #.9

L #.9

#Includes R&I Trim Panel & Rear View Mirror

1 Moulding, Outer Belt

R #.2 92233994 \$38.37

L #.2 92233995 \$38.37

#w/Rear View Mirror Removed

2 Applique, Mirror

R .1 92231319 \$21.36

L .1 92231318 \$21.36

3 Mirror Assy, Rear View

w/Auto Dimming

R #.4 92235844 \$88.20

L #.4 92235843 \$160.85

w/o Auto Dimming

R #.4 92235811 \$85.54

L #.4 92235788 \$83.88

#w/Trim Panel Removed

4 Gasket, Mirror

R 92221402 \$4.63

L 92221401 \$4.63

5 Harness, Mirror-Serviced w/Rear View Mirror Assy

2010 Chevrolet Camaro SS Coupe

¶Included w/Rear View Mirror Assy

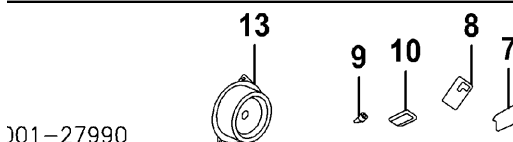
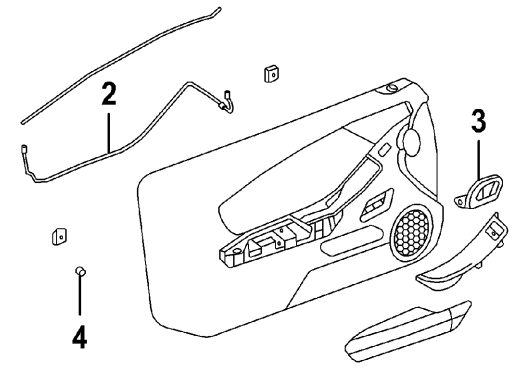
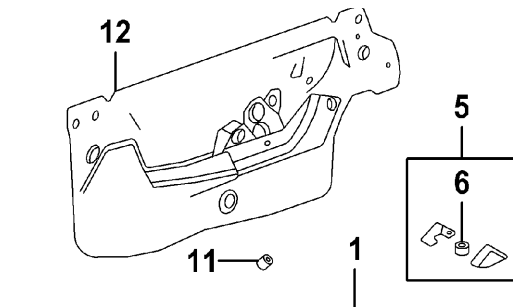
6 Glass, Mirror				
w/Auto Dimming	R	#.2	92235875	\$33.47
	L	#.2	92235874	\$134.73
w/o Auto Dimming	R	#.2	92235873	\$27.71
	L	#.2	92235872	\$23.12

#Included in R&R Rear View Mirror Assy

7 Actuator, Mirror	R	#.4	92221400	\$27.49
	L	#.4	92221399	\$27.49

#Included in R&R Rear View Mirror Assy, Includes R&R Mirror Glass

**INTERIOR TRIM**



001-27990

R&I Trim Panel

R	.4
L	.4

NOTE: All Parts in this section are included in R&R Trim Panel unless noted otherwise.

2010 Chevrolet Camaro SS Coupe

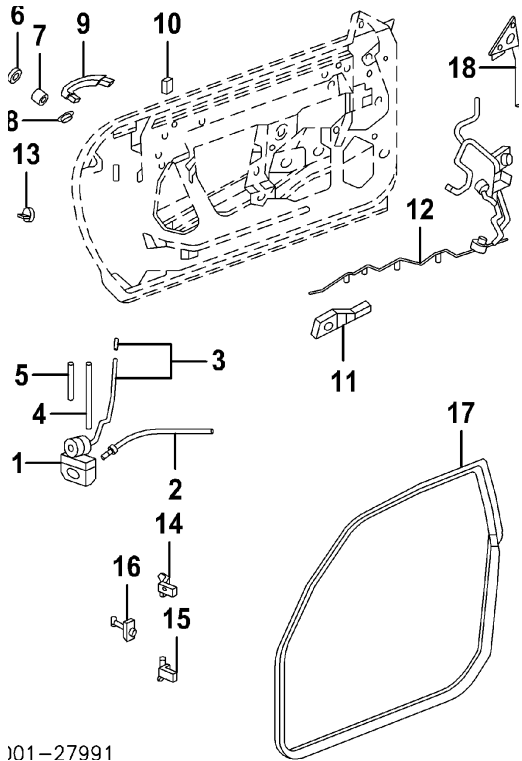
1 Panel Assy, Door Trim¶				
w/Accent Pkg	R	.6	92236446	\$357.32
	L	.6	92236444	\$359.26
w/o Accent Pkg				
LS Model	R	.6	92236474	\$277.07
	L	.6	92236475	\$280.77
LT Model				
Enhanced Speaker System	R	.6	92236472	\$294.54
	L	.6	92236473	\$298.16
Premium Speaker System	R	.6	92236468	\$310.00
	L	.6	92236469	\$312.09
SS Model	R	.6	92236472	\$294.54
	L	.6	92236473	\$298.16
¶Order by Application				
2 Lamp, Illumination (a)				
Blue	R		92238395	\$17.07
	L		92238395	\$17.07
Orange	R		92228416	\$15.65
	L		92228416	\$15.65
3 Handle, Inside Door (a)-Serviced w/Door Trim Panel Assy				
4 Retainer, Trim (a)¶	R		11519031	\$4.30
	L		11519031	\$4.30
¶As Required				
(a) Included w/Door Trim Panel Assy				
5 Grille, Upper Speaker	R		92241371	\$31.37
	L		92241370	\$38.68
6 Speaker, Upper-Serviced w/Upper Speaker Grille				
7 Cap, Inside Handle	R		92218855	\$14.21
	L		92218856	\$14.21
8 Switch, Window	R	.2	92221585	\$8.37
	L	.2	92232160	\$8.37
9 Switch, Luggage Lid	L	.2	92224594	\$14.12
10 Liner, Door Pocket	R		92228925	\$3.54
	L		92228926	\$3.54
11 Liner, Door Pocket	L		15250458	\$16.79
12 Shield, Moisture	R	#.2	N.A.	
	L	#.2	N.A.	
13 Speaker, Lower (b)	R	#.2	92199586	\$43.78
	L	#.2	92199586	\$43.78

2010 Chevrolet Camaro SS Coupe

(b) Order by Application

#w/Trim Panel Removed, Not Included in R&R Trim Panel

**HARDWARE**



101-27991

Refinish Outside Handle

R .5  
L .5

Refinish Upper Hinge

R .5  
L .5

Refinish Lower Hinge

R .5  
L .5

R&I Outside Handle

R .3  
L .3

1 Latch Assy, Door¶

R	#.3	13503802	\$76.75
L	#.3	13503801	\$77.56

¶Order by Application  
Clip, Rod (a)

R		13210733	\$3.51
L		13210733	\$3.51

(a) Included w/Door Latch Assy

2 Cable, Inside Handle

R	#.2	92238242	\$11.37
L	#.2	92238242	\$11.37

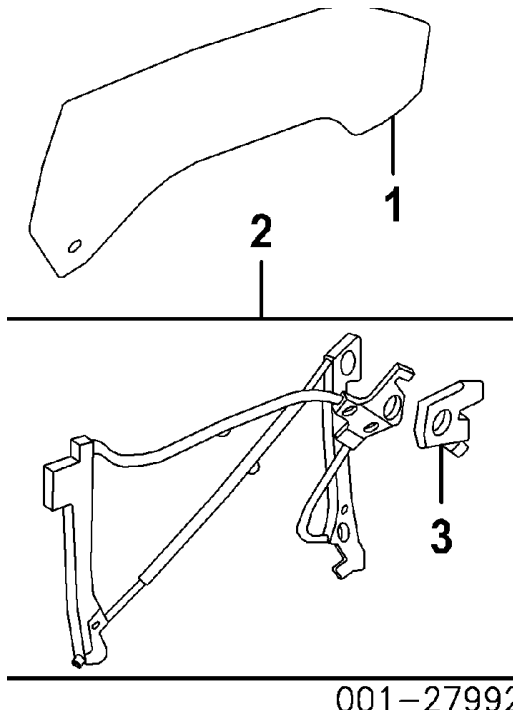
#w/Trim Panel Removed

2010 Chevrolet Camaro SS Coupe

3 Rod, Lock	R		92199632	\$9.02
	L		92199631	\$9.02
4 Rod, Outside Handle	R		92195091	\$5.75
	L		92195092	\$5.75
5 Rod, Lock Cyl	L		N.A.	
6 Bezel, Lock Cylinder	L	#.3	92233090	\$13.35
7 Cylinder, Lock	L	#.3	20765509	\$51.72
#w/Trim Panel Removed, Included in R&R Outside Handle				
8 Insulator, Pad	R		13502036	\$3.54
	L		13502036	\$3.54
9 Handle, Outside (P)	R	#.3	92233089	\$49.27
	L	#.3	92233089	\$49.27
(P) Paint to Match				
#w/Trim Panel Removed				
10 Grommet, Handle	R		25887975	\$4.46
	L		25887975	\$4.46
11 Bracket, Outside Handle	R		20829887	\$52.88
	L		13503899	\$52.88
12 Harness, Door Wiring				
Enhanced Speaker System	R		92237766	\$119.50
	L		92237766	\$119.50
Premium Speaker System	R		92237771	\$114.00
	L		92237767	\$119.50
13 Striker, Door Latch	R	#.2	13503000	\$11.81
	L	#.2	13503000	\$11.81
#Included in R&R Door				
14 Hinge, Upper Door	R	#.3	15932610	\$35.47
	L	#.3	13501712	\$24.88
15 Hinge, Lower Door	R	#.3	13501712	\$24.88
	L	#.3	15932610	\$35.47
#w/Door Removed				
16 Check, Door	R	#.2	92235265	\$21.93
	L	#.2	92235265	\$21.93
#w/Trim Panel Removed				
17 W/Strip, Front Door Opng-See Side Body Section				
18 Seal, Mirror/Filler	R	#.2	92236835	\$49.90
	L	#.2	92236836	\$49.90
#w/Trim Panel Removed				

GLASS & PARTS

2010 Chevrolet Camaro SS Coupe



1 Glass, Front Door

Chevrolet

NAGS

2 Regulator Assy, Window

3 Motor, Regulator¶

R	1.0	92234860	\$129.19
L	1.0	92234861	\$129.19
R	1.0	DD11716GTN	\$635.15
L	1.0	DD11717GTN	\$635.15
R	#.4	92238465	\$301.47
L	#.4	92238464	\$301.47
R	#.5	92238462	\$108.36
L	#.5	92238463	\$108.36

¶Included w/Window Regulator Assy

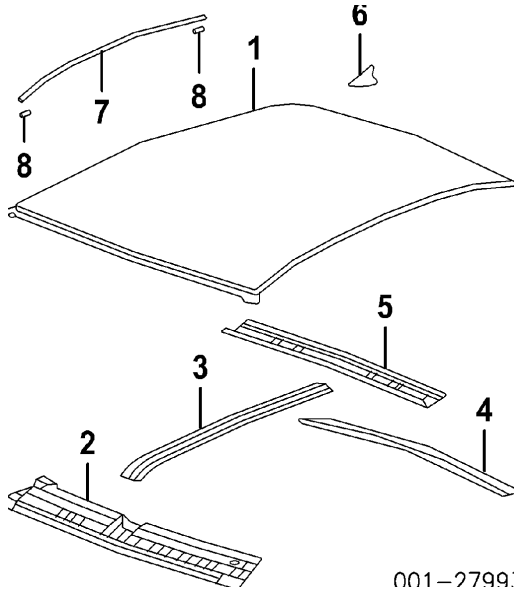
#w/Door Glass Removed

2010 Chevrolet Camaro SS Coupe

ROOF

Procedures 17 and 28

SHEET METAL/EXTERIOR TRIM



Refinish Roof Outside

R&I Roof Moulding

R&I Antenna

Add to R&R Roof Panel  
w/Side Curtain Air Bags

			2.7	
		R	.3	
		L	.3	
			.7	
			1.6	
1	Panel, Roof w/Sunroof w/On-Star	#17.0	92223619	\$242.34
	w/o On-Star	#17.0	92223620	\$242.34
	w/o Sunroof w/On-Star	#15.5	92240316	
	w/o On-Star	#15.5	92193246	\$426.31
	#Does Not Include R&R Quarter Glass			
2	Panel, Front Header Bow, Roof	1.5	92237124	\$48.73
3	No. 1 w/o Sunroof	1.0	92196842	\$57.80
4	No. 2	1.0	92236190	\$134.27
5	Panel, Rear Header w/Sunroof	1.5	92203685	\$13.42
	w/o Sunroof	1.5	92241843	\$28.54

2010 Chevrolet Camaro SS Coupe

6 Antenna, Combination-See Electrical Section

7 Moulding, Roof

w/RS Pkg

R .3 92225861 \$34.69

L .3 92225861 \$34.69

w/o RS Pkg

R .3 92217614 \$34.69

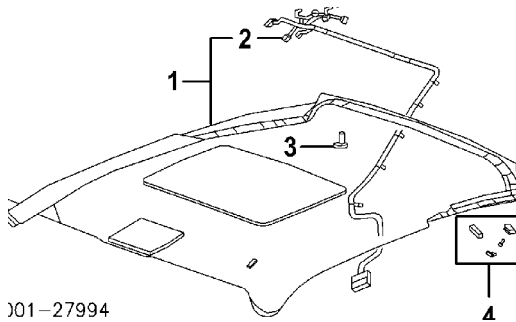
L .3 92217614 \$34.69

8 Retainer, Moulding (2/Side)

R 92225863 \$7.75

L 92225863 \$7.75

INTERIOR TRIM



001-27994

R&I Headliner

3.1

1 Headliner¶

w/Sunroof

w/On-Star

3.1 92240141

w/o On-Star

3.1 92240137

w/o Sunroof

3.1

w/On-Star

3.1 92240133

w/o On-Star

92240132

¶Order by Application

2 Harness, Roof-Serviced w/Headliner

3 Retainer, Headliner (2)

Black

15802005

\$3.68

Titanium

96946829

\$3.54

4 Hook, Coat (2)

Black

92234197

\$3.68

Titanium

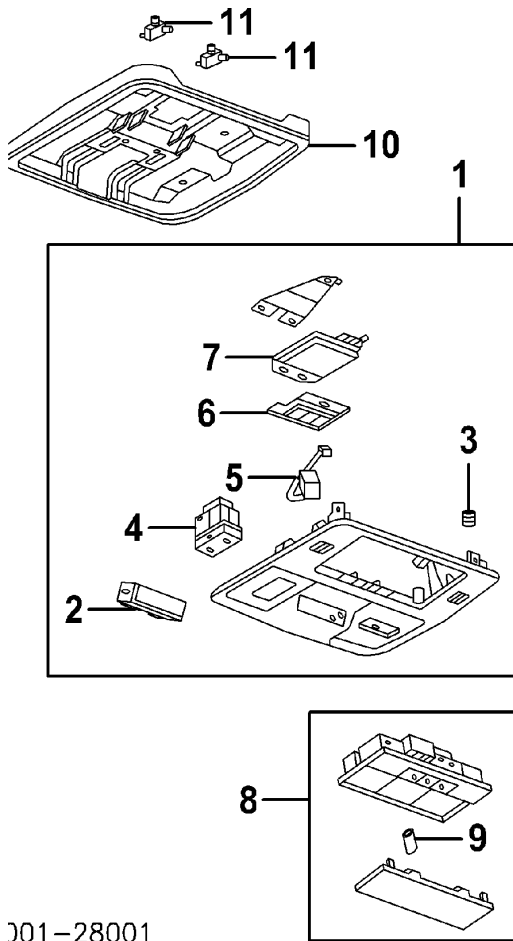
25949570

\$4.25

OVERHEAD CONSOLE

W/GDO

2010 Chevrolet Camaro SS Coupe



001-28001

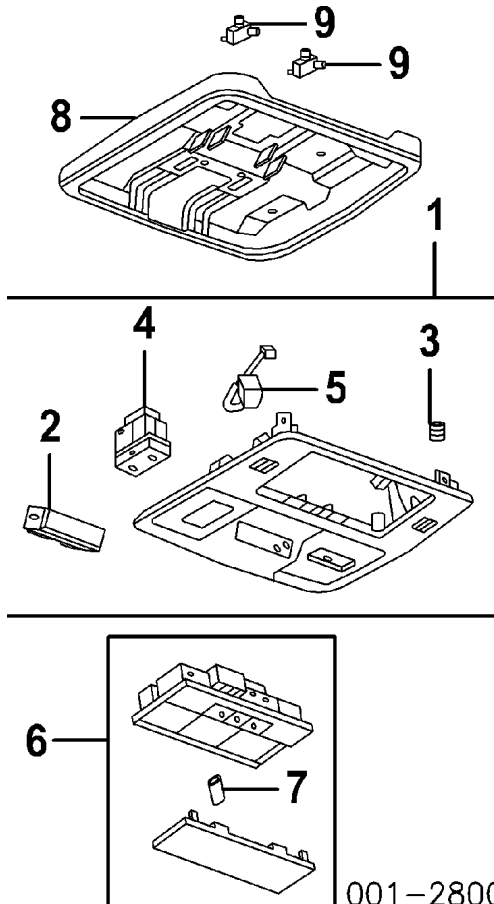
**R&I Roof Console Assy**

1 Console Assy, Roof w/Sunroof	.3		
Black	.5	92235700	\$253.21
Titanium	.5	92235690	\$251.74
w/o Sunroof			
Black	.5	92235687	\$81.23
Titanium	.5	92235688	\$79.65
¶Order by Application			
2 Indicator, Air Bag Module (a)-See Air Bag System Section			
3 Clip, Console (4) (a)		11561857	\$4.85
4 Switch, Sunroof (a)			
Black	.2	25795115	\$17.54
Titanium	.2	25971739	\$17.54
5 Microphone (a)	.2	15241529	\$69.66

2010 Chevrolet Camaro SS Coupe

6 Switch, Garage Door (a)		
Black	.2 92219247	\$11.72
Titanium	.2 92219249	\$11.72
7 Transmitter, GDO (a)	.3 92219508	\$165.00
(a) Included w/Roof Console Assy		
8 Lamp Assy, Courtesy		
Black	.2 92219241	\$25.93
Titanium	.2 92219242	\$25.93
9 Bulb, Lamp (b)	1999382	\$3.93
(b) Included w/Courtesy Lamp Assy		
10 Plate, Console Backing¶	92235682	\$34.82
¶Order by Application		
11 Clip, Plate Attaching (2)	11561955	\$5.44

**OVERHEAD CONSOLE**  
**W/O GDO**



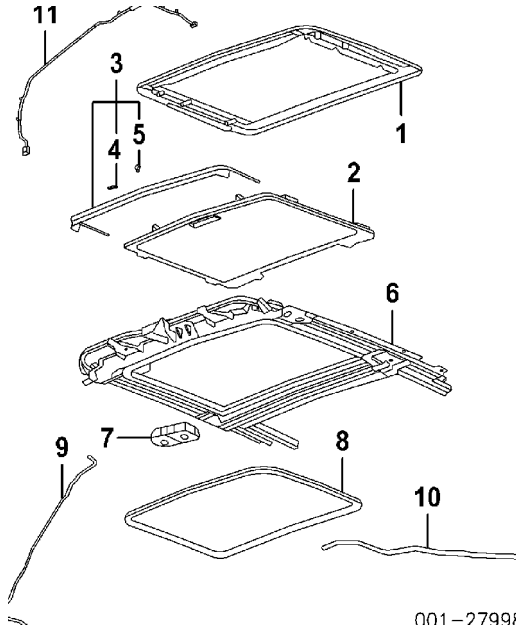
001-28002

2010 Chevrolet Camaro SS Coupe

1 Console Assy, Roof		
w/Sunroof		
Black	.5 92235685	\$98.58
Titanium	.5 92235686	\$98.58
w/o Sunroof		
Black	.5 92241129	\$62.35
Titanium	.5 92235695	\$77.26
Order by Application		
2 Indicator, Air Bag Module (a)-See Air Bag System Section		
3 Clip, Console (4) (a)	11561857	\$4.85
4 Switch, Sunroof (a)		
Black	.2 25795115	\$17.54
Titanium	.2 25971739	\$17.54
5 Microphone (a)	.2 15241529	\$69.66
(a) Included w/Roof Console Assy		
6 Lamp Assy, Courtesy		
Black	.2 92219241	\$25.93
Titanium	.2 92219242	\$25.93
7 Bulb, Lamp (b)	1999382	\$3.93
(b) Included w/Courtesy Lamp Assy		
8 Plate, Console Backing	92235682	\$34.82
Order by Application		
9 Clip, Plate Attaching (2)	11561955	\$5.44

2010 Chevrolet Camaro SS Coupe

SUNROOF



001-2799F

R&I Sunroof Glass	.8
R&I Sunroof Assy	#1.5
O/H Sunroof Assy (Includes R&I)	#2.1

#w/Headliner Removed

NOTE: All Parts in this section are included in overhaul unless noted otherwise.

1 Glass Assy, Sunroof	.8	92234924	\$456.56
Bolt, Frame (6)¶		11610784	\$4.05
¶Included w/Sunroof Glass Assy			
2 Sunshade (a)	.5	92219311	\$137.56
(a) Order by Application			
3 Deflector Kit	.3	92233596	\$113.90
4 Bracket, Deflector (3) (b)		92224613	\$22.24
5 Bolt, Deflector (3) (b)		11610439	\$4.98
(b) Included w/Deflector Kit			
6 Frame, Sunroof	#2.1	92239550	\$311.90
7 Motor, Sunroof	#.3	20849537	\$240.84
#w/Headliner Removed			
8 Lace, Sunroof			
Black	.3	92219312	\$86.93
Titanium	.3	92219313	\$86.93
9 Hose, Front Drain	R #.3	92232873	\$17.02
	L #.3	92232874	\$17.02

2010 Chevrolet Camaro SS Coupe

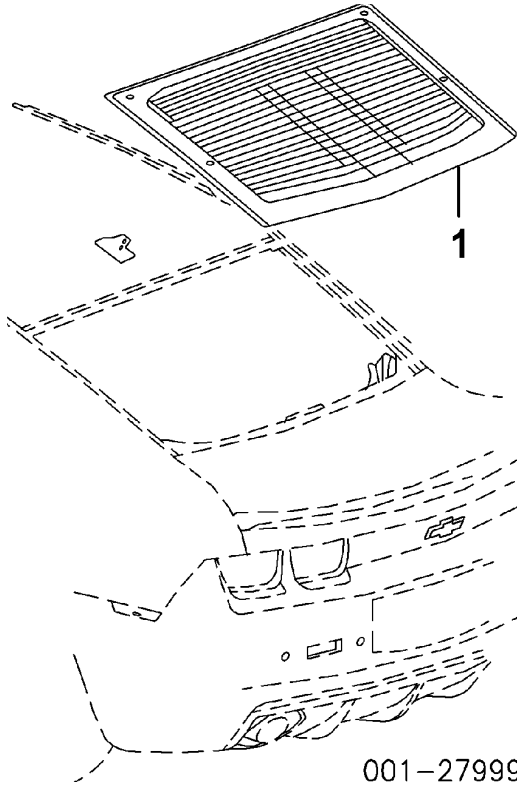
10 Hose, Rear Drain	R	#.3	92233919	\$25.56
	L	#.3	92233921	\$22.98
11 Harness, Sunroof		#.5	92231182	\$40.72

#w/Headliner Removed, Not Included in R&R or O/H

2010 Chevrolet Camaro SS Coupe

## BACK WINDOW

### Procedure 19



R&I Back Window

2.5

#Includes Clean Up Old Adhesive as Necessary

1 Glass, Back Window

Chevrolet

#2.2

92221719

\$294.71

NAGS

#2.2

DB11720GTY

\$574.00

#Includes Clean Up Old Adhesive as Necessary

Adhesive, Glass

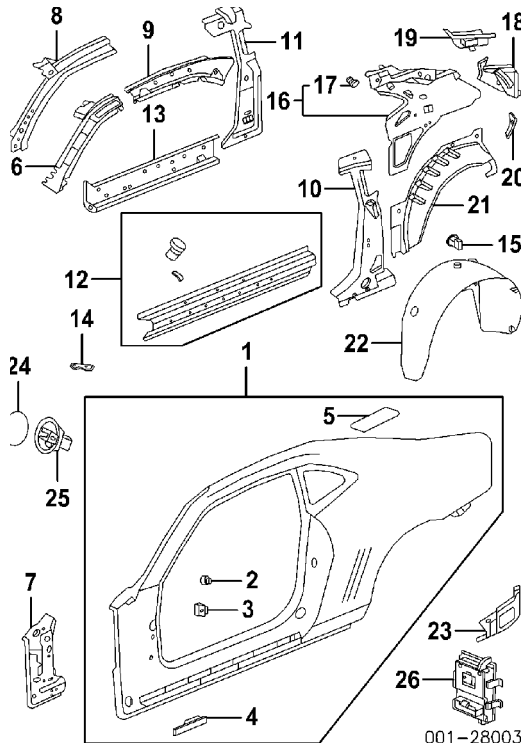
N.A.

2010 Chevrolet Camaro SS Coupe

SIDE BODY

Procedures 14, 15, 20 and 28

SHEET METAL



Refinish Outer Side Body Panel Outside	R	6.6
	L	6.6
Add to Edge	R	.5
	L	.5
Add for Inside	R	1.5
	L	1.5
Add for Pillar	R	.5
	L	.5
Refinish Hinge Pillar	R	1.0
	L	1.0
Refinish Rocker Panel	R	2.0
	L	2.0
Refinish Quarter Panel Outside	R	2.5
	L	2.5
Add to Edge	R	.5
	L	.5
Add for Pillar	R	.5

2010 Chevrolet Camaro SS Coupe

	L	.5
Add for Inside	R	.8
	L	.8
Refinish Fuel Door	R	#.5
#Included in Refinish Right Side Body Panel or Right Quarter Panel Section		
Add for Inside	R	.2
Refinish Roof Rail	R	1.6
	L	1.6
Refinish Outer Extension	R	.5
	L	.5
Refinish Package Tray Panel		1.5
Section Hinge Pillar Complete	R	#9.5
	L	#9.5
#Time is to Cut in Windshield Opening & Door Opening		
Section Inner Hinge Pillar	R	#6.5
	L	#6.5
#Time is to Cut Between Door Hinges & in Front Door Opening at Rocker		
Section Rocker Panel	R	#9.8
	L	#9.8
#Time is to Cut in Door Opening, w/Quarter Panel Removed Deduct 1.6		
Section Quarter Panel	R	#16.5
	L	#16.0
#Time is to Cut in Door Opening & Back Window Opening, w/Roof Removed Deduct 4.5		
Section Both Quarter Panels		28.0
Section Both Quarter Panels & Roof		
w/Sunroof		37.9
w/o Sunroof		39.4
Section Both Quarter Panels & Rear Body Panel		34.4
Section Both Quarter Panels, Roof & Rear Body Panel		
w/Sunroof		45.8
w/o Sunroof		44.3

2010 Chevrolet Camaro SS Coupe

Add to R&R Side Body Panel or Quarter Panel

To R&I Back Glass		.3	
To R&I Quarter Glass	R	.2	
	L	.2	
Add to R&R Side Body Panel or Quarter Panel w/Side Curtain Air Bag	R	.8	
	L	.8	
w/Side Air Bag Sensor	R	.4	
	L	.4	

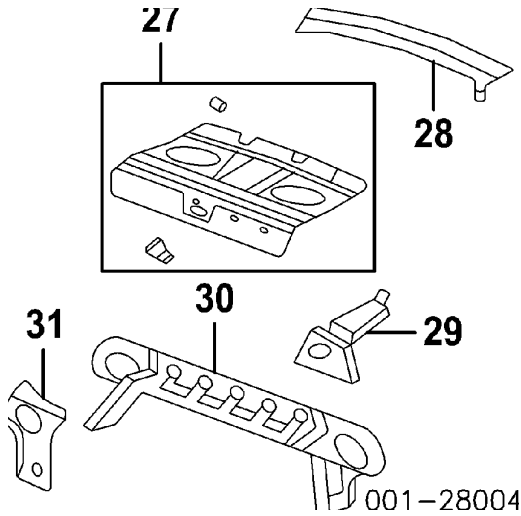
NOTE: Refer to General Motors Collision Repair Service Procedures Manual for sectioning information.

1 Panel Assy, Outer Side Body	R	29.8	92244452	\$489.00
	L	29.8	92234481	\$493.46
Bracket, Fender¶				
2 Upper	R	.4	92216595	\$9.00
	L	.4	92198932	\$9.00
3 Center	R	.4	92198933	\$9.00
	L	.4	92198933	\$9.00
4 Lower	R	.4	92198935	\$9.00
	L	.4	92198934	\$9.00
5 Deadener, Sound (a)¶	R	.2	25777560	\$10.37
	L	.2	25777560	\$10.37
¶Included w/Outer Side Body Panel Assy				
(a) As Required				
Striker, Door Latch-See Front Door Section				
Reinf, Hinge Pillar				
6 Upper	R	2.0	92193186	\$23.78
	L	2.0	92193187	\$23.78
7 Lower	R	2.5	92238271	\$76.95
	L	2.5	92238270	\$76.95
8 Panel, Inner Hinge Pillar	R	#2.0	92237125	\$70.69
	L	#2.0	92237126	\$70.69
#Includes R&R Upper Reinf				
9 Reinf, Upper Pillar	R	2.5	92193172	\$39.49
	L	2.5	92193171	\$39.49
10 Reinf, Center Pillar (HSLA)	R	3.0	92237353	\$170.05
	L	3.0	92237354	\$170.05
11 Pillar, Inner Center (HSLA)	R	2.6	92201707	\$103.49

2010 Chevrolet Camaro SS Coupe

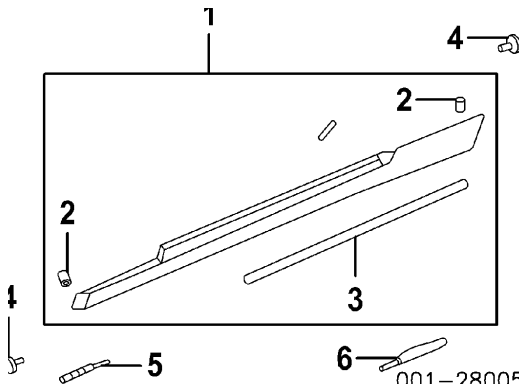
	L	2.6	92201706	\$103.49
12 Panel, Outer Rocker	R	3.8	92193270	\$142.03
	L	3.8	92193241	\$142.03
13 Panel, Inner Rocker	R	3.0	92202532	\$94.00
	L	3.0	92202533	\$94.00
Insulator, Lower				
14 Front	R		92238240	\$6.49
	L		92238241	\$6.49
15 Rear	R		92202974	\$4.98
	L		92202975	\$4.98
16 Panel Assy, Inner Quarter	R	5.5	92236905	\$301.27
	L	5.5	92236904	\$301.27
17 Brkt, Coat Hook (b)	R	.5	92236903	\$77.42
	L	.5	92236903	\$77.42
(b) Included w/Inner Quarter Panel Assy				
18 Panel, Outer Extension	R	2.5	92229087	\$34.68
	L	2.5	92229086	\$34.68
19 Ext, Outer Qtr Panel	R	1.5	92238393	\$21.17
	L	1.5	92238392	\$21.17
20 Insulator, Panel	R		92202980	\$9.14
	L		92202981	\$9.14
21 Panel, Wheelhouse Outer	R	3.0	92235065	\$152.17
	L	3.0	92223635	\$183.59
22 Liner, Wheelhouse	R	.3	92235905	\$39.49
	L	.3	92235904	\$37.14
Bolt, Attaching (5/Side)	R		11570637	\$3.51
	L		11570637	\$3.51
23 Extension, Lower Rear Panel	R	2.8	92229518	\$9.92
	L	2.8	92229519	\$9.92
24 Door, Fuel	R	.3	92226388	\$22.25
25 Housing, Fuel Door	R	#.5	92240048	\$9.44
#w/Fuel Door Removed				
26 Module, Fuel Pump-See Fuel Tank Section				

2010 Chevrolet Camaro SS Coupe



27 Panel, Package Tray		6.0	92236168	\$112.08
28 Panel, Drain		3.5	92193247	\$20.78
29 Ext, Package Tray	R	2.0	92239772	\$21.22
	L	2.0	92239771	\$21.22
30 Support, Rear Seat			92230986	\$53.91
31 Extension, Lower	R		92230984	\$125.77
	L		92230985	\$125.77

EXTERIOR TRIM

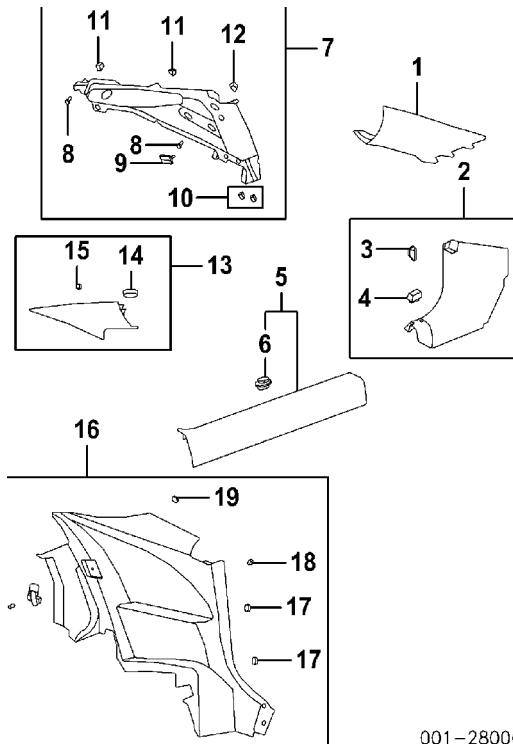


Refinish Rocker Moulding Assy	R	1.6		
	L	1.6		
R&I Rocker Moulding Assy	R	.5		
	L	.5		
1 Moulding Assy, Rocker (P)	R	.5	92239586	\$169.07
	L	.5	92239584	\$243.25
(P) Paint to Match				
2 Nut, Mounting (2/Side)¶	R		11513599	\$4.48
	L		11513599	\$4.48

2010 Chevrolet Camaro SS Coupe

3 Seal, Rocker Mldg¶¶	R	92238467	\$45.97
	L	92238466	\$45.97
Retainer, Moulding (18/Side)¶¶	R	11609923	\$4.05
	L	11609923	\$4.05
¶¶Included w/Rocker Moulding Assy			
4 Bolt, Moulding (2/Side)	R	11570637	\$3.51
	L	11570637	\$3.51
Protector, Moulding			
5 Front	R	92232019	\$38.08
	L	92232018	\$36.07
6 Rear	R	92232023	\$39.32
	L	92232022	\$36.07

INTERIOR TRIM



1 Moulding Assy, Side Garnish-See Windshield Section			
2 Trim Assy, Hinge Pillar	R	.2 92219211	\$30.72
	L	.2 92234907	\$30.72
Clip, Trim Panel¶¶			
3 Upper	R	24405740	\$3.81
	L	24405740	\$3.81

2010 Chevrolet Camaro SS Coupe

4	Lower	R	92139118	\$3.54
		L	92139118	\$3.54
	¶Included w/Hinge Pillar Trim Assy			
5	Plate Assy, Scuff	R	.2 92232884	\$15.47
		L	.2 92232886	\$15.47
6	Clip, Mounting (a) (b)	R	92139118	\$3.54
		L	92139118	\$3.54
	(a) Included w/Scuff Plate Assy			
	(b) As Required			
7	Trim Assy, Upper Front Quarter			
	Black	R	.2 92235227	\$34.32
		L	.2 92241888	\$111.68
	Titanium	R	.2 92236948	\$45.58
		L	.2 92236949	\$45.58
8	Bolt, Attaching (2/Side) (c)	R	11609465	\$0.61
		L	11609465	\$0.61
9	Cover, Bolt (c)			
	Black	R	92230309	\$3.54
		L	92230309	\$3.54
	Titanium	R	92236950	\$3.54
		L	92236950	\$3.54
10	Retainer, Trim (c)	R	11610205	\$31.34
		L	11610205	\$31.34
	Clip, Mounting (b) (c)			
11	Front	R	24405739	\$3.68
		L	24405739	\$3.68
12	Rear	R	24405740	\$3.81
		L	24405740	\$3.81
	(b) As Required			
	(c) Included w/Upper Front Quarter Trim Assy			
13	Trim Assy, Upper Rear Quarter			
	Black	R	.2 92235178	\$26.11
		L	.2 92235182	\$26.11
	Titanium	R	.2 92236938	\$26.11
		L	.2 92236939	\$26.11
	Clip, Mounting (d)			
14	Front	R	11610951	\$8.46
		L	11610951	\$8.46
15	Rear, (2/Side)	R	24405740	\$3.81
		L	24405740	\$3.81

2010 Chevrolet Camaro SS Coupe

(d) Included w/Upper Rear Quarter Trim Assy

16 Trim Assy, Lower Quarter	R	#.3	92236428	\$138.00
	L	#.3	92240563	\$150.14

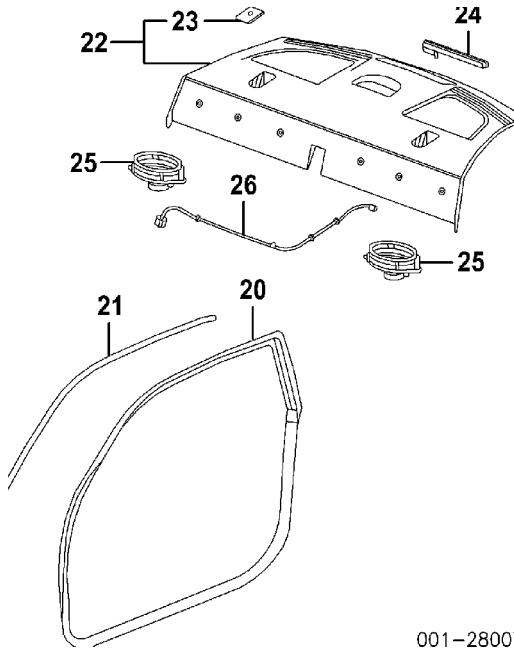
#w/Rear Seat Assy Removed

Clip, Trim Panel (b) (e)

17 Front	R		24405739	\$3.68
	L		24405739	\$3.68
18 Center	R		11561857	\$4.85
	L		11561857	\$4.85
19 Rear	R		24405740	\$3.81
	L		24405740	\$3.81

(b) As Required

(e) Included w/Lower Quarter Trim Assy



001-28007

20 W/Strip, Front Door Opng (On Body)	R		92241902	\$138.92
	L		92241903	\$138.92
21 W/Strip, Upper Aux (On Body)	R	.5	92230885	\$65.80
	L	.5	92230886	\$65.80
22 Trim Assy, Package Tray		#1.2	92230641	\$211.84

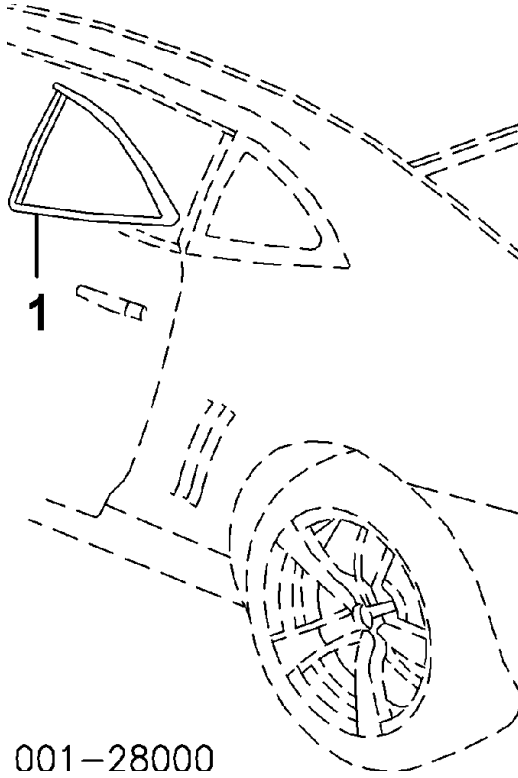
#Includes R&I Rear Seat Assy

2010 Chevrolet Camaro SS Coupe

23	Cover, Child Seat Brkt (f)	R	92218367	\$26.46
		L	92218367	\$26.46
	(f) Included w/Package Tray Trim Assy			
24	Lamp, High Mount Stop-See Rear Lamps Section			
25	Speaker			
	Enhanced Speaker System	R	.3 92230119	\$24.51
		L	.3 92230119	\$24.51
	Premium Speaker System	R	.3 92199588	\$79.96
		L	.3 92199588	\$79.96
26	Harness, Wiring		92208314	\$50.24

2010 Chevrolet Camaro SS Coupe

## QUARTER GLASS



001-28000

R&I Quarter Glass

R #1.8  
L #1.8

#Includes Clean Up Old Adhesive as Necessary

1 Glass, Quarter

Chevrolet

R	#1.6	92221730	\$107.00
L	#1.6	92221729	\$107.00
R	#1.6	DQ11718GTY	\$746.65
L	#1.6	DQ11719GTY	\$746.65

NAGS

#Includes Clean Up Old Adhesive as Necessary

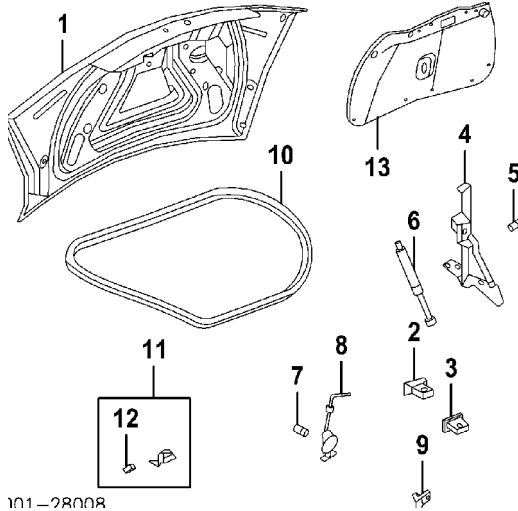
Adhesive, Glass

N.A.

2010 Chevrolet Camaro SS Coupe

**LUGGAGE LID**

Procedures 24 and 28



Refinish Luggage Lid Outside		2.1
Add for Underside		1.0
Refinish Luggage Lid Hinge	R	.5
	L	.5
Refinish Spoiler Assy		1.1
R&I Luggage Lid Assy		.6
R&I Spoiler	#.5	

#Includes R&R Luggage Lid Trim

1 Panel, Luggage Lid				
w/Spoiler		1.4	92226389	\$416.32
w/o Spoiler		1.1	92226389	\$416.32
2 Latch, Lid		.3	13501988	\$90.14
3 Cover, Latch			13501990	\$5.75
4 Hinge, Lid	R	#.4	92226378	\$46.13
	L	#.4	92226379	\$46.13

#w/Luggage Lid Removed, Includes R&R Strut

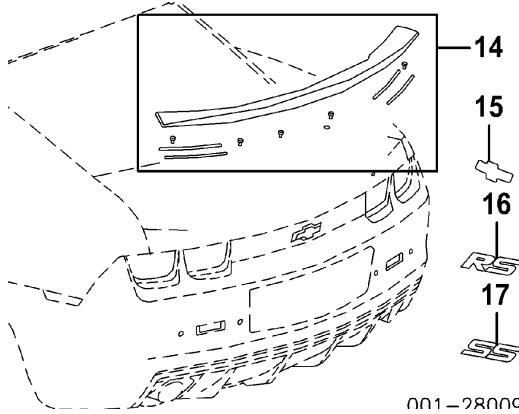
5 Bumper, Hinge	R		92230862	\$3.42
	L		92230862	\$3.42
6 Strut, Luggage Lid				
w/Spoiler	R	.2	92235151	\$19.95
	L	.2	92235151	\$19.95
w/o Spoiler	R	.2	92235152	\$19.95
	L	.2	92235152	\$19.95
7 Bumper, Lid	R		92231413	\$10.75

2010 Chevrolet Camaro SS Coupe

	L	92231413	\$10.75
8 Cable, Latch	.3	92230360	\$21.87
9 Striker, Lid	.2	13321093	\$3.54
		92242227	
10 W/Strip, Luggage Lid (On Body)	.4		\$63.61
11 Lamp Assy, Courtesy	.2	13503059	\$19.13
12 Bulb, Lamp	.1	13500832	\$3.38

¶ Included w/Courtesy Lamp Assy

13 Trim, Luggage Lid	.3	92229237	\$35.19
----------------------	----	----------	---------



14 Spoiler (P) (P) Paint to Match	#.5	92237075	\$307.78
--------------------------------------	-----	----------	----------

#Includes R&R Luggage Lid Trim

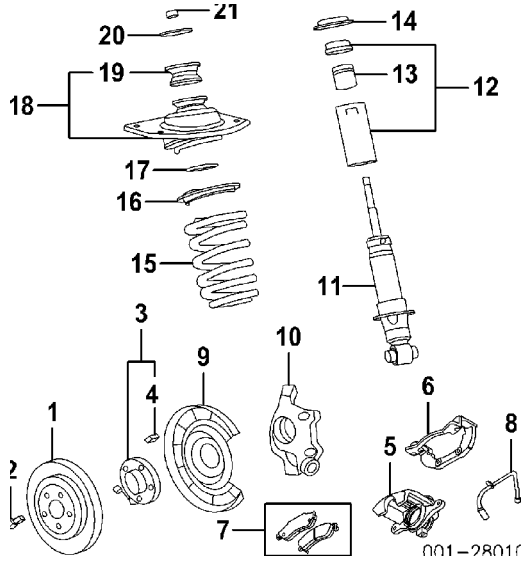
Stripe, Luggage Lid-See Stripe Tape Section

15 Emblem (Adhesive) Nameplate (Adhesive)	.2	92238590	\$13.08
16 "RS"	.2	92228473	\$15.39
17 "SS"			
Red	.2	92228475	\$15.39
White	.2	92228474	\$15.39

2010 Chevrolet Camaro SS Coupe

## REAR SUSPENSION

### Procedure 23



R&I Suspension/Sub-Frame Assy		3.7
O/H Suspension		
One Side	R	4.4
	L	4.4
Both Sides		8.2
Adjust Four Wheel Alignment		2.6
Bleed Brake System		1.0

NOTE 1: R&I/R&R or O/H Does Not include alignment or bleed brake system.

NOTE 2: All Parts in this section are included in overhaul unless noted otherwise.

1 Rotor, Brake				
3.6L Eng	R	#.6	13501315	\$80.68
	L	#.6	13501315	\$80.68
6.2L Eng	R	#.6	25851166	\$145.33
	L	#.6	25851166	\$145.33
#R&R Both 1.0				
2 Bolt, Rotor	R		11570339	\$4.25
	L		11570339	\$4.25
3 Hub Assy, Wheel				
3.6L Eng				
Man Trans	R	#1.8	13500401	\$187.56
	L	#1.8	13500401	\$187.56
Auto Trans	R	#1.8	13502216	\$264.10

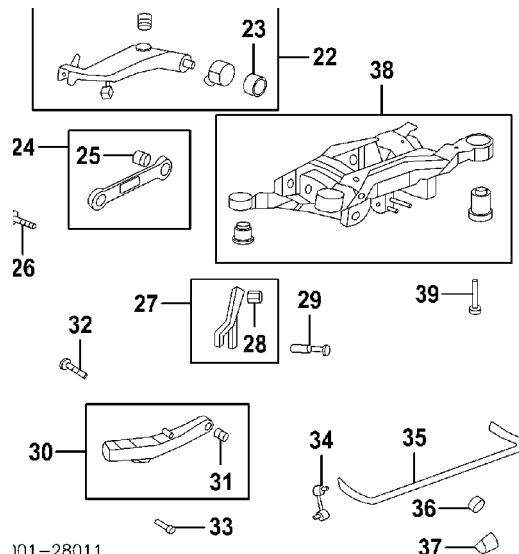
2010 Chevrolet Camaro SS Coupe

	L	#1.8	13502216	\$264.10
6.2L Eng	R	#1.8	13500401	\$187.56
	L	#1.8	13500401	\$187.56
#Includes R&R Rotor				
4 Bolt, Hub (5/Side)¶	R		11588811	\$4.42
	L		11588811	\$4.42
¶Included w/Wheel Hub Assy				
5 Caliper, Brake				
3.6L Eng	R	#.5	25843041	\$96.67
	L	#.5	25843042	\$96.67
6.2L Eng	R	#.5	92233176	\$102.13
	L	#.5	92233177	\$102.13
6 Bracket, Caliper				
3.6L Eng	R	#.5	20780993	\$56.73
	L	#.5	20780993	\$56.73
#R&R One Side Complete, R&R Both Sides .8				
7 Pad Set, Brake				
3.6L Eng		#1.0	92230273	\$175.00
6.2L Eng		#1.0	89047744	\$143.03
#Deduct .5 for Each Caliper Removed				
8 Hose, Brake				
3.6L Eng	R	#.3	92229717	\$48.88
	L	#.3	92229717	\$48.88
6.2L Eng	R	#.3	92229716	\$49.58
	L	#.3	92229716	\$49.58
#w/Caliper Removed Deduct .2				
9 Plate, Park Brake				
3.6L Eng	R	#.4	92227528	\$112.57
	L	#.4	92227527	\$112.57
6.2L Eng	R	#.4	92227530	\$124.82
	L	#.4	92227529	\$124.82
#w/Hub Removed				
10 Knuckle, Rear	R	#2.6	92239046	\$126.16
	L	#2.6	92239045	\$126.16
#Includes R&R Rotor, Hub & Splash Shield, R&R Both Sides 5.0				
11 Absorber, Shock				
3.6L Eng	R	#1.2	92195485	\$112.15
	L	#1.2	92195485	\$112.15
6.2L Eng	R	#1.2	92195484	\$112.15

2010 Chevrolet Camaro SS Coupe

	L	#1.2	92195484	\$112.15
12 Shield, Dust	R	#1.2	92195499	\$17.09
	L	#1.2	92195499	\$17.09
13 Bumper, Absorber	R	#1.2	92195502	\$19.85
	L	#1.2	92195502	\$19.85
14 Insulator, Lower	R	#1.2	92232063	\$11.28
	L	#1.2	92232063	\$11.28
15 Spring, Coil				
3.6L Eng	R	#1.2	92195464	\$41.54
	L	#1.2	92195464	\$41.54
6.2L Eng	R	#1.2	92195466	\$42.56
	L	#1.2	92195466	\$42.56
16 Insulator, Upper	R	#1.2	92232065	\$11.63
	L	#1.2	92232065	\$11.63
17 Retainer, Insulator	R	#1.2	92184345	\$15.79
	L	#1.2	92184345	\$15.79
18 Mount Assy, Upper	R	#1.2	92233769	\$49.70
	L	#1.2	92213101	\$49.70
19 Insulator, Mount (a)	R	#1.2	92163464	\$17.22
	L	#1.2	92163464	\$17.22
(a) Included w/Upper Mount Assy				
20 Retainer, Upper	R	#1.2	92171077	\$15.40
	L	#1.2	92171077	\$15.40
21 Nut, Absorber	R	#1.2	11516078	\$4.46
	L	#1.2	11516078	\$4.46

#R&R One Side Complete, w/Knuckle Removed Deduct .5, R&R Both Sides 2.2



101-2R011				
22 Arm Assy, Upper Control	R	#.7	92236926	\$103.51

2010 Chevrolet Camaro SS Coupe

	L	#.7	92236925	\$105.02	
<p>#w/Suspension/Sub-Frame Assy Removed, Not Included in O/H</p>					
23	Bushing, Arm (b)	R	#.3	92214164	\$24.66
	L	#.3	92214163	\$24.66	
<p>(b) Included w/Upper Control Arm Assy</p>					
<p>#w/Upper Control Arm Assy Removed</p>					
24	Link Assy, Adjuster				
<p>Ride/Handling Susp, (RPO-FE2)</p>					
	w/RS Pkg	R	#.6	92225625	\$27.52
		L	#.6	92225625	\$27.52
	w/o RS Pkg	R	#.6	92195504	\$30.74
		L	#.6	92195504	\$30.74
	Sport Susp, (RPO-FE3)	R	#.6	92225625	\$27.52
		L	#.6	92225625	\$27.52
<p>#w/Knuckle Removed Deduct .3</p>					
25	Bushing, Link (c)				
<p>Ride/Handling Susp, (RPO-FE2)</p>					
	w/RS Pkg	R	#.3	92225626	\$7.17
		L	#.3	92225626	\$7.17
	w/o RS Pkg	R	#.3	92214168	\$8.52
		L	#.3	92214168	\$8.52
	Sport Susp, (RPO-FE3)	R	#.3	92225626	\$7.17
		L	#.3	92225626	\$7.17
<p>(c) Included w/Adjuster Link Assy</p>					
<p>#w/Link Assy Removed</p>					
<p>Sensor, Rear ABS-See ABS/Brakes Section</p>					
26	Bolt, Link	R		92139062	\$13.64
		L		92139062	\$13.64
27	Arm Assy, Trailing	R	#1.3	92236929	\$23.74
		L	#1.3	92236929	\$23.74
<p>#w/Knuckle Removed Deduct .8</p>					
28	Bushing, Arm (d)	R	#.3	92202986	\$10.19
		L	#.3	92202986	\$10.19

2010 Chevrolet Camaro SS Coupe

(d) Included w/Trailing Arm Assy

#w/Trailing Arm Assy Removed

29 Bolt, Trailing Arm	R		11589279	\$4.25
	L		11589279	\$4.25
30 Arm Assy, Lower Control	R	#1.2	92231068	\$49.10
	L	#1.2	92231068	\$49.10

#w/Knuckle Removed Deduct .8

31 Bushing, Arm (e)	R	#.3	92214165	\$11.32
	L	#.3	92214165	\$11.32

(e) Included w/Lower Control Arm Assy

#w/Lower Control Arm Removed

Bolt, Lower Arm

32 Type 1	R		11589279	\$4.25
	L		11589279	\$4.25
33 Type 2	R		11561300	\$7.72
	L		11561300	\$7.72
34 Link, Stab Bar	R	#.4	92232339	\$20.93
	L	#.4	92232339	\$20.93

#Not Included in O/H

35 Bar, Stabilizer				
3.6L Eng		#1.0	92207256	\$70.69
6.2L Eng		#1.0	92205109	\$63.68

#Includes R&R Stabilizer Links, Brackets & Bushings, Not Included in O/H

36 Bracket, Stab Bar	R	#	92227775	\$12.42
	L	#	92227775	\$12.42
37 Bushing, Stab Bar	R	#	92199900	\$11.28
	L	#	92199900	\$11.28

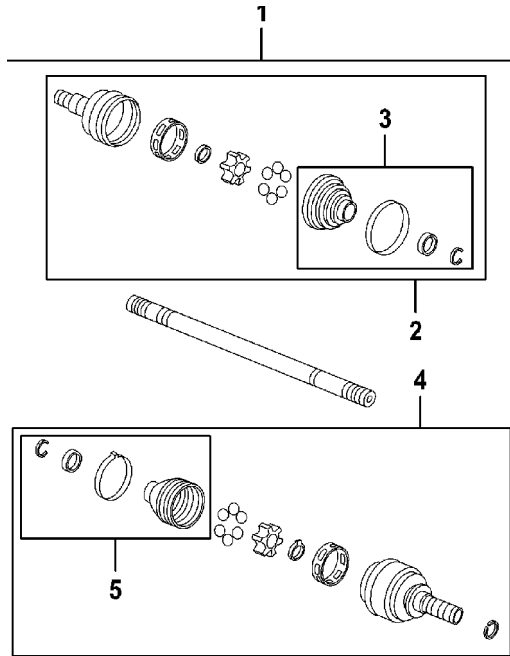
#Not Included in O/H

38 Support, Rear Susp		#6.5	92228802	
39 Bolt, Support (4)		#	11589375	\$11.26

#Not Included in O/H

2010 Chevrolet Camaro SS Coupe

REAR DRIVE AXLE



001-28012

R&I Axle Shaft Assy

R #.4

L #.4

O/H Axle Shaft Assy

R #1.2

L #1.2

#w/Necessary Suspension Components Removed

NOTE: All Parts in this section are included in overhaul unless noted otherwise.

1 Shaft Assy, Rear Axle

3.6L Eng

Man Trans

R #.4

92238378

\$235.96

L #.4

92238377

\$235.96

Auto Trans

R #.4

92238376

\$181.20

L #.4

92238375

\$181.20

6.2L Eng

R #.4

92238378

\$235.96

L #.4

92238377

\$235.96

#w/Necessary Suspension Components Removed

2 Joint Assy, Outer CV

3.6L Eng

Man Trans

R #.5

92228293

\$111.40

L #.5

92228293

\$111.40

2010 Chevrolet Camaro SS Coupe

Auto Trans	R	#.5	92228306	\$86.66
	L	#.5	92228306	\$86.66
6.2L Eng	R	#.5	92228293	\$111.40
	L	#.5	92228293	\$111.40
#w/Axle Shaft Assy Removed				
3 Boot, Outer (a)¶	R	#.4	92228290	\$40.61
	L	#.4	92228290	\$40.61
(a) Included w/Outer CV Joint Assy				
4 Joint Assy, Inner¶				
3.6L Eng				
Man Trans	R	#.5	92228296	\$142.59
	L	#.5	92228296	\$142.59
Auto Trans	R	#.5	92228302	\$115.90
	L	#.5	92228302	\$115.90
6.2L Eng	R	#.5	92228296	\$142.59
	L	#.5	92228296	\$142.59
5 Boot, Inner (b)¶	R	#.4	92228294	\$46.91
	L	#.4	92228294	\$46.91

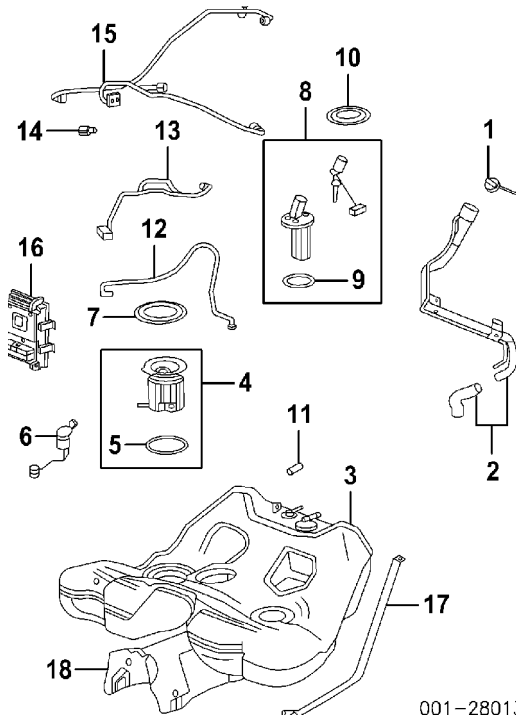
¶Included w/Rear Axle Shaft Assy

(b) Included w/Inner Joint Assy

#w/Axle Shaft Assy Removed

2010 Chevrolet Camaro SS Coupe

**FUEL TANK**



001-28013

**R&I Fuel Tank**

1.8

NOTE: R&R Does Not include drain and refill.

1	Cap, Fuel Filler		20813322	\$25.92
2	Pipe, Fuel Filler		92202105	\$98.86
3	Tank, Fuel		2.2 92206032	\$579.54
4	Module Assy, Fuel Pump			
	3.6L Eng	#1.0	19208721	\$197.70
	6.2L Eng	#1.0	19208719	\$300.00
	#Included in R&R Fuel Tank			
5	Seal, Module¶		22682111	\$15.06
	¶Included w/Fuel Pump Module Assy			
6	Sensor, Fuel Level		19208722	\$30.70
7	Ring, Fuel Pump		10325852	\$11.80
8	Sensor Assy, Fuel		19208723	\$89.40
9	Seal, Sensor (a)		15776433	\$20.18
	(a) Included w/Fuel Sensor Assy			
10	Ring, Fuel Gauge Sender		15776431	\$15.40
11	Sensor, Fuel Tank		13502903	\$68.54
12	Pipe, Fuel Feed		92214170	\$33.02

2010 Chevrolet Camaro SS Coupe

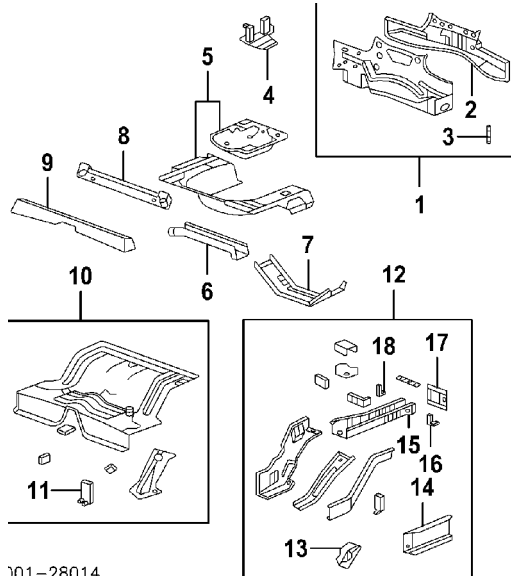
13 Pipe, Fuel Filler (b)		92200027	\$159.60
(b) Order by Application			
14 Sensor, Fuel Pressure		13500745	\$37.14
15 Harness, Fuel Pump		92202097	\$119.88
16 Module, Fuel Pump		.7 20875846	\$139.95
17 Strap, Fuel Tank	R	92159806	\$31.64
	L	92159806	\$31.64
18 Shield, Fuel Tank		92159813	\$87.82

2010 Chevrolet Camaro SS Coupe

**REAR BODY**

Procedures 26 and 28

**SHEET METAL**



101-28014

Refinish Rear Body Panel		2.0
Add for Edge & Inside		.8
Refinish Rear Floor Pan		1.5
Add for Underside		.8
Refinish Rear Side Rail Assy	R	1.0
	L	1.0
Section Rear Side Rail	R	#7.0
	L	#7.0

#w/Rear Body Panel Removed

NOTE: Refer to General Motors Collision Repair Service Procedures Manual for sectioning information.

1 Panel Assy, Rear Body	#8.8	92234020	\$108.07
2 Panel, Outer Rear Body	#10.0	92193253	\$44.47
#w/Each Quarter Panel Removed Deduct 1.9			
3 Bracket, Speaker	L	92208138	\$3.51
¶Included w/Rear Body Panel Assy			
4 Tray, Battery-See Electrical Section			
5 Panel, Rear Floor	#9.5	92223629	\$356.41

2010 Chevrolet Camaro SS Coupe

#w/Rear Body Panel Removed, w/Each Side Rail Removed Deduct 1.5

6 Bar, Floor Cross		4.5	92234899	\$32.46
7 Bar, Cross		5.5	92223630	\$62.14
8 Bar, Rear Floor Center			92202537	\$23.58
9 Bar, Front Cross		5.5	92228914	\$46.56
10 Pan Assy, Center Floor			92234194	\$326.95
11 Reinf, Floor (a)	R		92121195	\$158.22
	L		92121195	\$158.22

(a) Included w/Center Floor Pan Assy

12 Rail Assy, Rear Side (HSLA)	R	#10.0	92223623	\$307.85
	L	#10.0	92223624	\$307.85
13 Reinf, Rail (HSLA) (b)	R	1.0	92234133	\$20.58
	L	1.0	92234134	\$20.58
14 Ext, Inr Rocker Panel (HSLA) (b)	R	2.5	92193322	\$21.88
	L	2.5	92193323	\$21.88
15 Rail, Rear Side (HSLA) (b)	R	#6.5	92231781	\$98.19
	L	#6.5	92231780	\$94.93

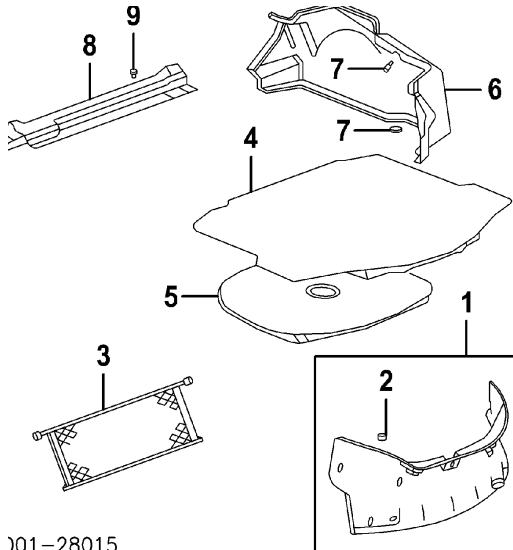
#w/Rear Body Panel Removed

16 Bracket, Muffler (HSLA) (b)	L		92204607	\$3.42
17 Plate, Rear Side (HSLA) (b)	R	1.0	92199058	\$50.37
	L	1.0	92199057	\$50.37
18 Bracket, Muffler (b)	R		92204609	\$3.42

(b) Included w/Rear Side Rail Assy

INTERIOR TRIM

2010 Chevrolet Camaro SS Coupe

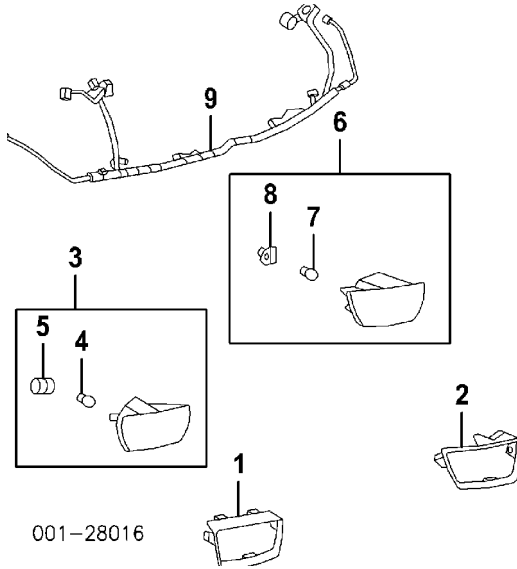


101-28015			
1 Trim Assy, Rear Sill		.3 92219200	\$67.56
2 Clip, Rear Trim¶			
Front	R	24405739	\$3.68
	L	24405739	\$3.68
Rear	R	24405740	\$3.81
	L	24405740	\$3.81
¶Included w/Rear Sill Trim Assy			
3 Net, Convenience		92195874	\$24.74
4 Carpet, Rear Compartment (a)		.2 92219067	\$61.14
(a) Order by Application			
5 Cover, Spare Tire-See Wheel Section			
6 Panel, Side Trim	R	.4 92219063	\$55.37
	L	.4 92219062	\$55.37
7 Retainer, Trim Panel			
Upper, (2/Side)	R	11589289	\$3.68
	L	11589289	\$3.68
Lower	R	90214832	\$1.46
	L	90214832	\$1.46
8 Trim, Center		.3 92219061	\$32.67
9 Retainer, Mtg (2)		11569768	\$1.80

2010 Chevrolet Camaro SS Coupe

REAR LAMPS

COMBINATION LAMP



R&I Lamp Bezel

R&I Outer

R #.2

L #.2

R&I Lamp Bezel Inner

R #.2

L #.2

#Includes R&R Filler  
Bezel, Lamp

1	Outer	R	#.2	92226741	\$16.65
		L	#.2	92226739	\$16.65
2	Inner	R	#.2	92226742	\$16.82
		L	#.2	92226740	\$16.82
#Includes R&R Filler					
3	Lamp Assy, Outer	R	#.3	92199774	\$82.75
	w/RS Pkg	L	#.3	92199773	\$82.75
	w/o RS Pkg	R	#.3	92195242	\$82.75
		L	#.3	92195243	\$82.75
#Includes R&R Bezel					
4	Bulb, Lamp¶	R	.2	13502322	\$12.83
		L	.2	13502322	\$12.83
5	Socket, Bulb¶	R		92227810	\$6.20
		L		92227810	\$6.20

¶Included w/Outer Lamp Assy

6	Lamp Assy, Inner	R	#.3	92212648	\$82.75
	w/RS Pkg				

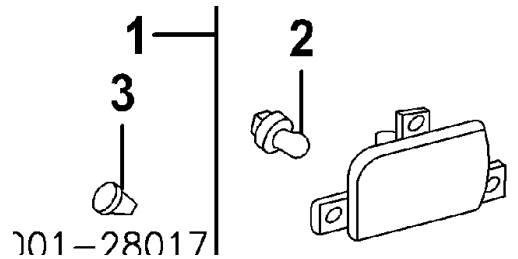
2010 Chevrolet Camaro SS Coupe

	L	#.3	92212647	\$82.75
w/o RS Pkg	R	#.3	92212645	\$82.75
	L	#.3	92212646	\$82.75
#Includes R&R Bezel				
7 Bulb, Lamp (a)	R	.2	13502322	\$12.83
	L	.2	13502322	\$12.83
8 Socket, Bulb (a)	R		92227810	\$6.20
	L		92227810	\$6.20

(a) Included w/Inner Lamp Assy

9 Harness, Rear Lamp				
w/Object Sensors			92212136	\$111.98
w/o Object Sensors			92196737	\$71.22

**BACK-UP LAMP**



R&I Back-Up Lamp Assy

R	#.2			
L	#.2			

#w/Rear Cover Removed, Included in R&R or O/H Cover

1 Lamp Assy, Back-Up	R	#.2	92212644	\$75.22
	L	#.2	92212643	\$75.22
2 Bulb, Lamp¶	R	#.2	15782706	\$19.82
	L	#.2	15782706	\$19.82

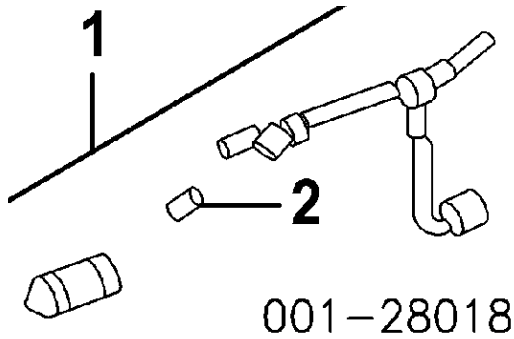
¶Included w/Back-Up Lamp Assy

#R&R One Side Complete, w/Rear Cover Removed, Included in R&R or O/H Cover

3 Bolt, Mounting (3/Side)	R		11589015	\$0.68
	L		11589015	\$0.68

**LICENSE LAMP**

2010 Chevrolet Camaro SS Coupe



**R&I License Lamp Assy**

#.2

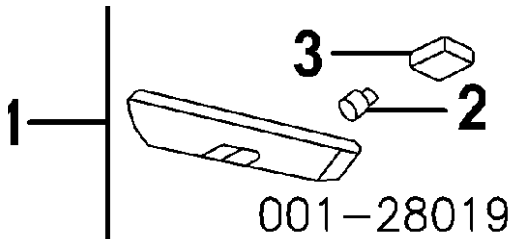
#Included in R&R or O/H Cover

1 Lamp Assy, License	#.2	92212896	\$56.28
2 Bulb, Lamp¶	#.2	13500812	\$2.00

¶Included w/License Lamp Assy

#Included in R&R or O/H Cover

**SIDE MARKER LAMP**



**R&I Side Marker Lamp Assy**

R #.3

L #.3

#Included in R&R or O/H Cover

1 Lamp Assy, Side Marker	R #.3	92195247	\$31.80
	L #.3	92195248	\$31.80

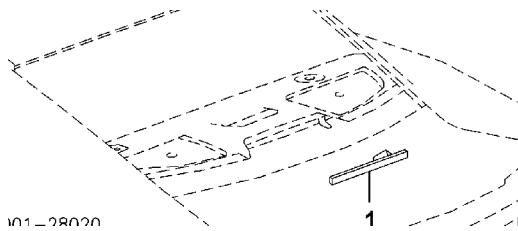
#Included in R&R or O/H Cover

2 Bulb, Marker Lamp¶	R .2	9421330	\$0.84
	L .2	9421330	\$0.84
3 Socket, Lamp¶	R	92237553	\$23.68
	L	92237553	\$23.68

¶Included w/Side Marker Lamp Assy

**HIGH MOUNT STOP LAMP**

2010 Chevrolet Camaro SS Coupe



101\_28020

1 Lamp, High Mount Stop

#.3

92208315

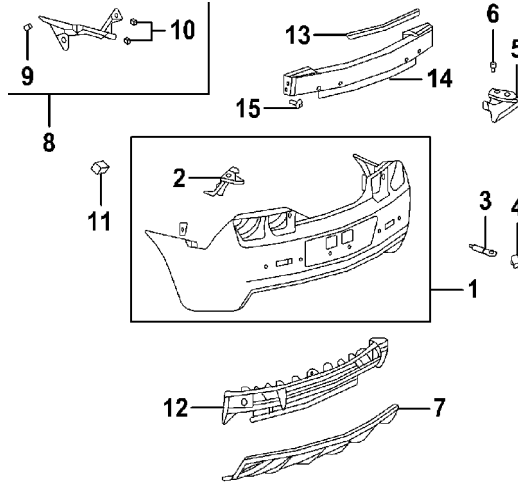
\$77.38

#w/Package Tray Trim Removed

2010 Chevrolet Camaro SS Coupe

**REAR BUMPER**

Procedures 27 and 28



101-28021

Refinish Rear Cover	2.9
R&I Rear Cover	#1.4
O/H Bumper Assy (Includes R&I)	#2.1
#Includes R&I/R&R Wheelhouse Liners	
Add to R&R or O/H Rear Bumper Cover	
w/Rear Object Sensors	.4

NOTE: All Parts in this section are included in overhaul unless noted otherwise.

1 Cover Assy, Rear (P)			
w/Object Sensors	#2.1	92232169	\$349.36
w/o Object Sensors	#2.1	92232167	\$336.07
(P) Paint to Match			
#Includes R&I/R&R Wheelhouse Liners			
2 Reinf, Cover¶	R	92238775	\$12.25
	L	92238774	\$12.25
Rivet (10)¶		9132667	\$3.42
¶Included w/Rear Cover Assy			
Eye, Tow			
3 SS Model	#	25887376	\$16.60
#Not Included in R&R or O/H Cover			
4 Cover, Tow Eye		.1	N.A.

2010 Chevrolet Camaro SS Coupe

5 Filler, Tail Lamp	R	.1	92236771	\$10.45
	L	.1	92236772	\$10.45
6 Retainer, Filler (3/Side)	R		11589293	\$3.68
	L		11589293	\$3.68
7 Moulding, Lower Cover				
LS, LT Model		#.5	92218168	\$100.80
SS Model		#.5	92218169	\$100.80
#w/Rear Cover Removed, Includes R&R Energy Absorber				
Bolt, Lower (6)			11589015	\$0.68
8 Guide Assy	R	#.2	92238664	\$14.25
	L	#.2	92238663	\$14.25
#w/Rear Cover Removed, Not Included in R&R or O/H Cover				
9 Nut, Guide (a)	R		11513599	\$4.48
	L		11513599	\$4.48
10 Retainer, Guide (a)	R		92223721	\$3.42
	L		92223721	\$3.42
(a) Included w/Guide Assy				
11 Sensor, Rear Object (b)		#.1	92229605	\$51.73
(b) As Required				
#w/Rear Bumper Cover Removed, Not Included in R&R or O/H				
Harness, Rear Lamp-See Rear Lamps Section				
12 Absorber, Energy		#.2	92194305	\$108.46
#w/Rear Cover Removed				
13 Support, Cover			92237347	\$10.29
14 Bar, Impact		#.3	92194304	\$220.02
#w/Rear Cover Removed				
15 Bolt, Impact Bar (6)			11589407	\$3.68